

Specifications

Network Button Panels

Memory

SDRAM.....	512 MB
Flash.....	512 MB

Software

Configuration software	Global Configurator® Plus and Professional
Programming software.....	Global Scripter®
Control apps.....	Extron Control
Resource management software....	GlobalViewer® Enterprise
Utilities	Toolbelt, embedded web page

Ethernet

Network interface controllers (NICs)	1
Connector.....	1 female RJ-45 connector
Data rate.....	10/100Base-T, half/full duplex with autodetect
Protocols	DHCP, DNS, HTTP (redirect), HTTPS, ICMP, IEEE 802.1X, NTP, SFTP, SMTP, SNMP, SSH, TCP/IP, UDP/IP
Default settings	Link speed and duplex level = autodetected IP address = 192.168.254.253 Subnet mask = 255.255.255.0 Gateway = 0.0.0.0 DHCP = off DNS = 127.0.0.1

General

Power supply	Not included
Power input requirements	Power over Ethernet (PoE) (complies with PoE 802.3af, class 3)
Power consumption	
NBP 50	
Device	TBD watts
Device and PoE injector.....	TBD watts
NBP 105 D	
Device	2.0 watts
Device and PoE injector.....	5.1 watts
NBP 106 D	
Device	2.2 watts
Device and PoE injector.....	5.1 watts
NBP 108 D	
Device	1.9 watts
Device and PoE injector.....	5.0 watts
NBP 110 D	
Device	2.0 watts
Device and PoE injector.....	4.6 watts
NBP 100	
Device	2.2 watts
Device and PoE injector.....	3.9 watts

Specifications • Network Button Panels (Continued)

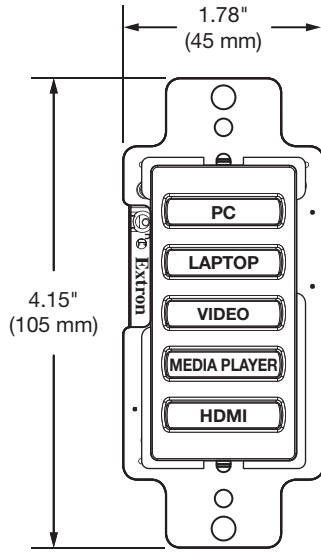
NBP 200	
Device	3.0 watts
Device and PoE injector.....	4.0 watts
NBP 1200C	
Device	1.5 watts
Device and PoE injector.....	3.3 watts
Temperature/humidity	Storage: -40 to +158 °F (-40 to +70 °C) / 10% to 90%, noncondensing Operating: +32 to +122 °F (0 to +50 °C) / 10% to 90%, noncondensing
Cooling	Convection, no vents
Thermal dissipation	
NBP 50	
Device	TBD BTU/hr
Device and PoE injector.....	TBD BTU/hr
NBP 105 D	
Device	6.7 BTU/hr
Device and PoE injector.....	17.1 BTU/hr
NBP 106 D	
Device	7.5 BTU/hr
Device and PoE injector.....	17.3 BTU/hr
NBP 108 D	
Device	6.4 BTU/hr
Device and PoE injector.....	16.8 BTU/hr
NBP 110 D	
Device	6.5 BTU/hr
Device and PoE injector.....	15.7 BTU/hr
NBP 100	
Device	7.3 BTU/hr
Device and PoE injector.....	13.3 BTU/hr
NBP 200	
Device	10.0 BTU/hr
Device and PoE injector.....	13.5 BTU/hr
NBP 1200C	
Device	5.1 BTU/hr
Device and PoE injector.....	11.1 BTU/hr
Mounting	
Rack mount.....	No
Furniture or wall mount	
NBP Decorator-style Series	Yes, in a standard US 1-gang electrical junction box or mud ring
NBP 50, NBP 100	Yes, in a standard US 2-gang electrical junction box or mud ring
NBP 200.....	Yes, in a standard US 3-gang electrical junction box or mud ring
Furniture mount	
NBP 1200C.....	Yes
Min./max. table thickness ..	0.50" to 2.50" (13 mm to 65 mm)
Enclosure type	
NBP 1200C.....	Metal
All other models.....	Plastic faceplate and high-impact plastic rear enclosure

Specifications • Network Button Panels (Continued)

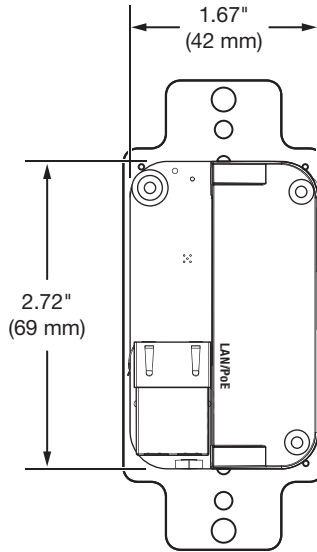
Enclosure dimensions

Decorator-style models

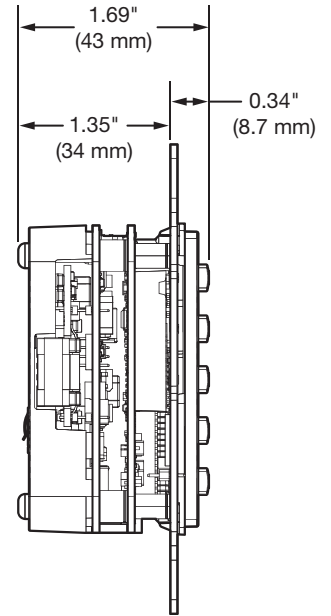
Faceplate.....	4.50" H x 2.75" W x 0.26" D (114 mm H x 70 mm W x 6.5 mm D)
Device	4.15" H x 1.78" W x 1.69" D (105 mm H x 45 mm W x 43 mm D) with mounting tabs, bezel and buttons
	2.72" H x 1.67" W x 1.35" D (69 mm H x 42 mm W x 34 mm D) without mounting tabs, bezel, or buttons
	(Fits most 1 gang US boxes or mud rings. Allow enough depth in the wall or furniture for device and cable clearance.)



NBP 105 D
Front View



NBP 105 D
Rear View



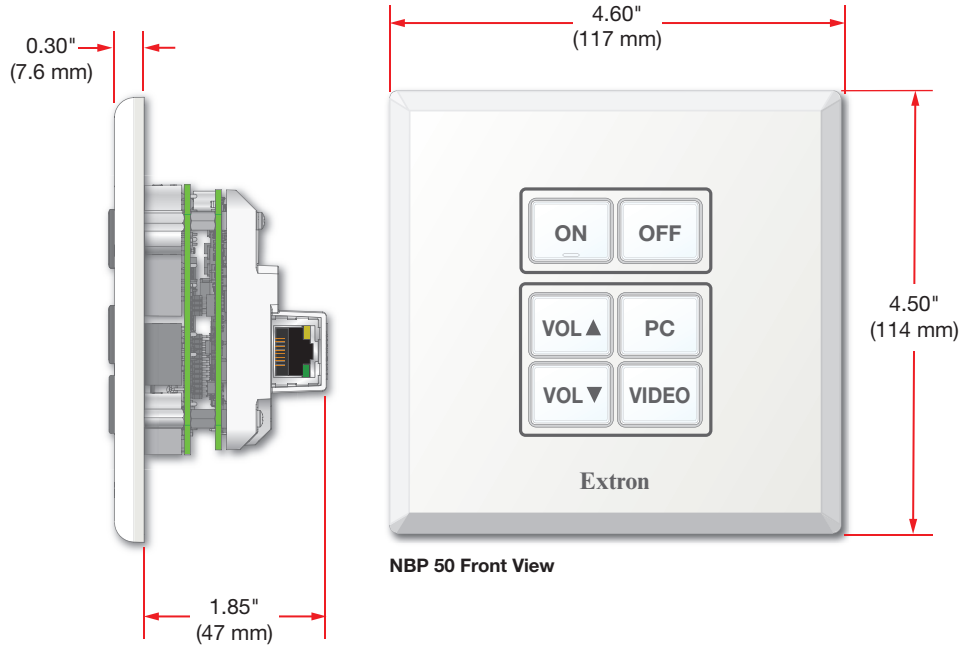
NBP 105 D
Side View

Specifications • Network Button Panels (Continued)

NBP 50, NBP 100

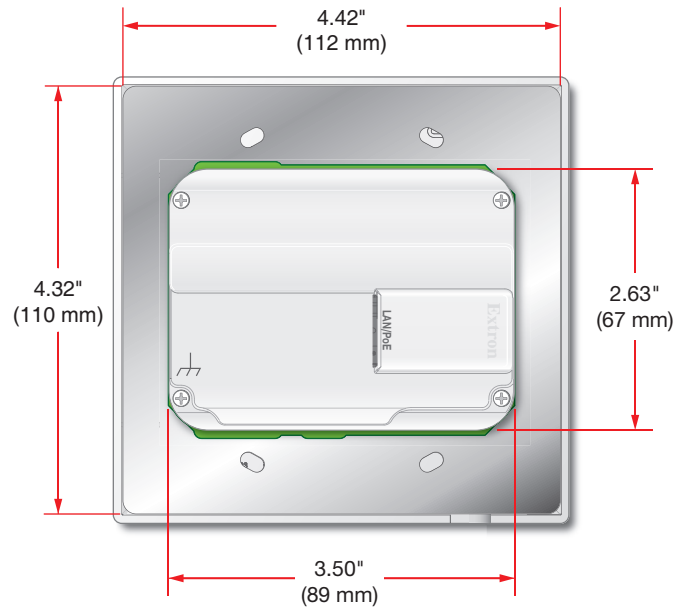
Faceplate..... 4.50" H x 4.60" W x 0.30" D (114 mm H x 117 mm W x 8.6 mm D)

Device 2.63" H x 3.50" W x 1.85" D (67 mm H x 89 mm W x 47 mm D)
 (Depth excludes faceplate, buttons, and knob. Fits most 2 gang US boxes or mud rings. Allow depth in the wall or furniture for device and cable clearance.)



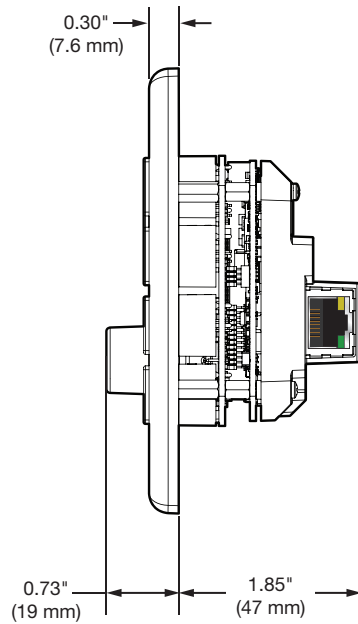
NBP 50 Side View

NBP 50 Front View

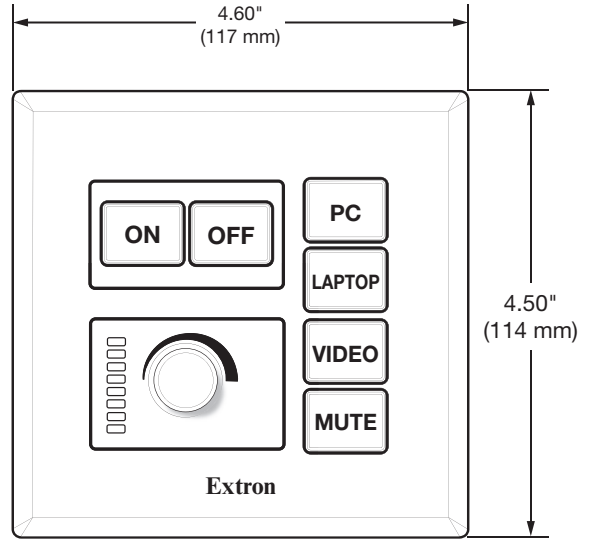


NBP 50 Rear View

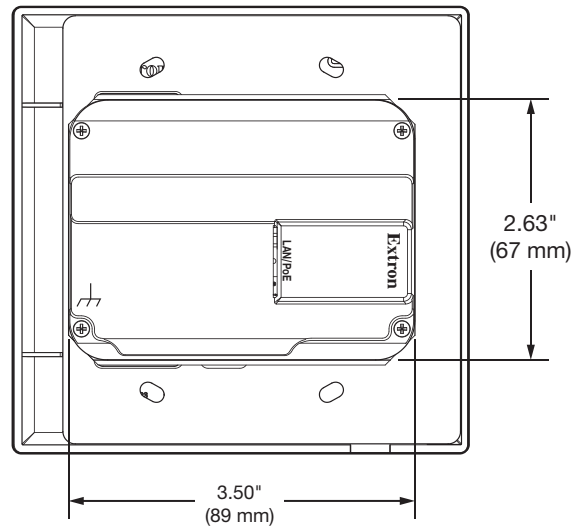
Specifications • Network Button Panels (Continued)



NBP 100 Side View



NBP 100 Front View



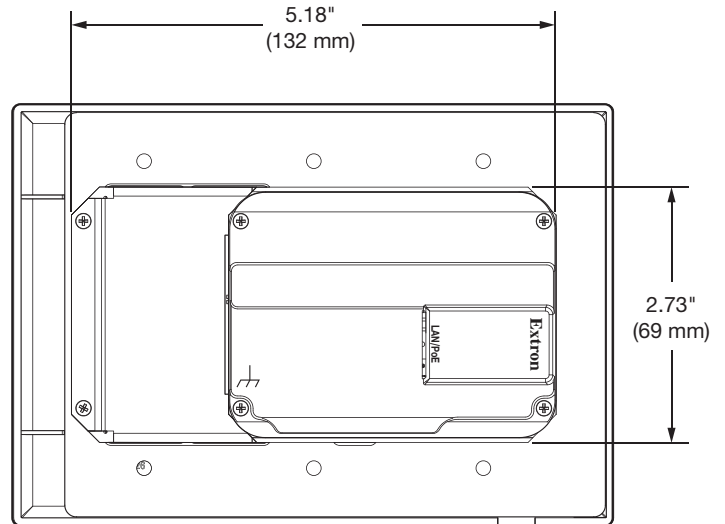
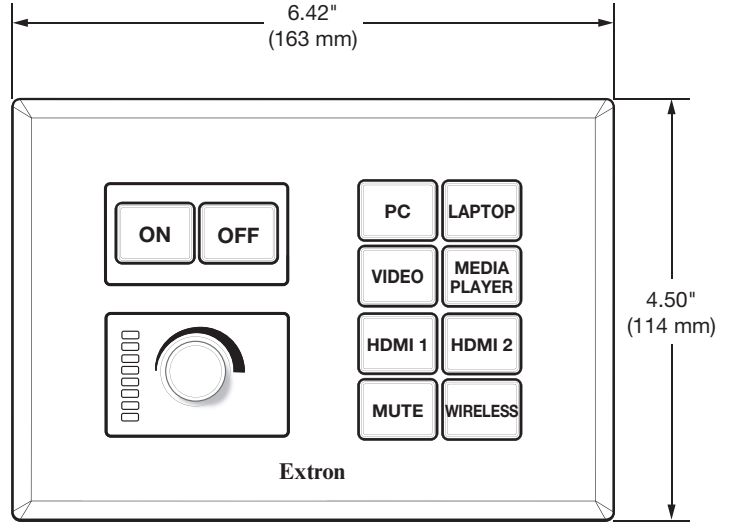
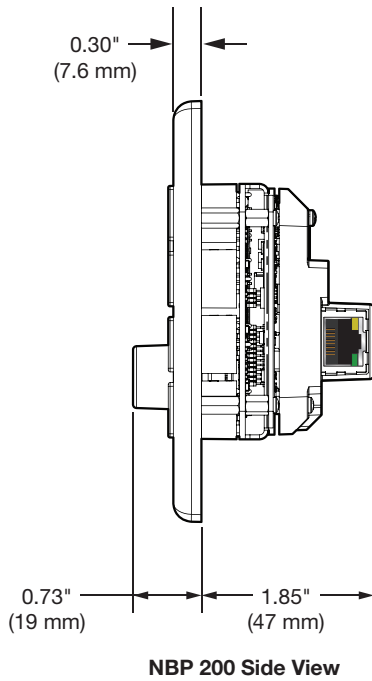
NBP 100 Rear View

Specifications • Network Button Panels (Continued)

NBP 200

Faceplate..... 4.50" H x 6.42" W x 0.30" D (114 mm H x 163 mm W x 7.6 mm D)

Device 2.73" H x 5.18" W x 1.85" D (69 mm H x 132 mm W x 47 mm D)
 (Depth excludes faceplate, buttons, and knob. Fits most 3 gang US boxes or mud rings. Allow depth in the wall or furniture for device and cable clearance.)

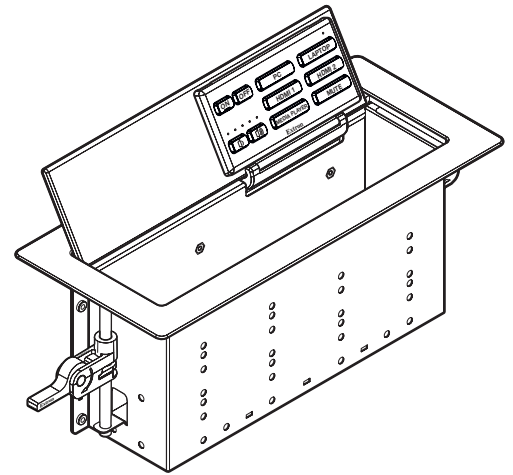
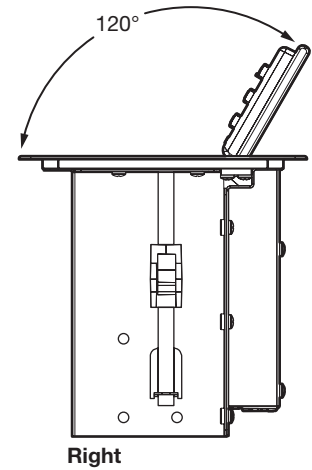
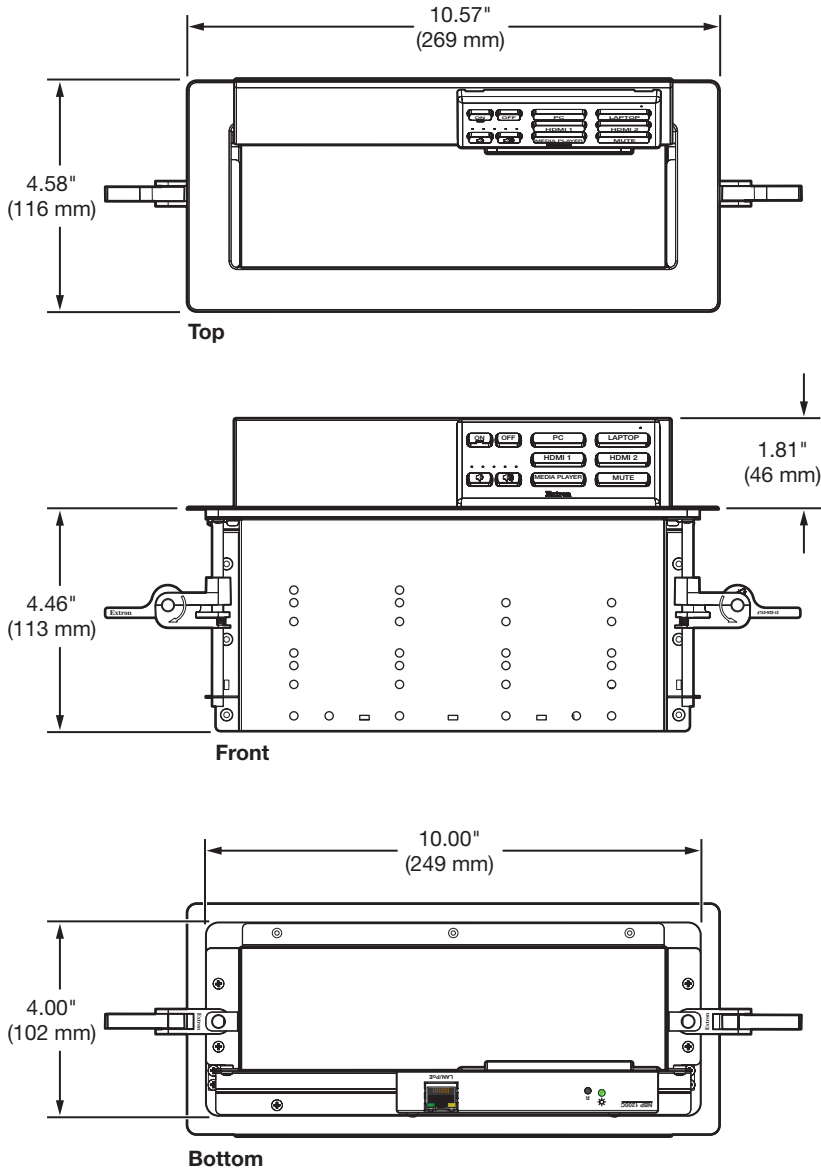


Specifications • Network Button Panels (Continued)

NBP 1200C

Top plate (outer rim)	10.57" W x 4.58" D (269 mm W x 116 mm D)
Surface cutout (inside rim)..	10.00" W x 4.00" D (254 mm W x 102 mm D)
Enclosure depth.....	4.46" H (113 mm H)

NBP 1200C



Product weight

Decorator-style models.....	0.2 lbs (0.1 kg)
NBP 50	TBD lb (TBD kg)
NBP 100	1.2 lb (0.5 kg)
NBP 200	1.6 lb (0.7 kg)
NBP 1200C.....	2.2 lbs (1.0 kg)

Specifications • Network Button Panels (Continued)

Regulatory compliance

NBP 1200C.....	CE, C-Tick, c-UL, FCC Class A, ICES, UL Complies with the appropriate requirements of RoHS, WEEE, and Section 508 of the Rehabilitation Act (29 U.S.C. 794d).
All other models.....	CE, C-Tick, c-UL, FCC Class A, ICES, UL, VCCI Complies with the appropriate requirements of RoHS, WEEE, and Section 508 of the Rehabilitation Act (29 U.S.C. 794d).

Product warranty 3 years parts and labor

NOTE: All nominal levels are at $\pm 10\%$.

NOTE: Specifications are subject to change without notice.

NOTE: Shipping weights and dimensions are available at www.extron.com.

5047-D5