



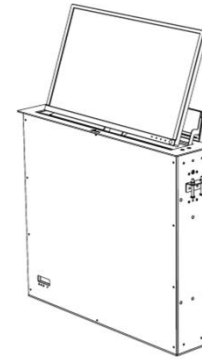


INTRODUCTION

This motorised retractable lift is compatible for use with a wide range of commercial monitors.

The monitor dimensions and characteristics are described in the ULS Monitor Guide document.

The tools and the required assembly components are included. Please note the signal and power cable of the monitor are not included. To assemble the monitor please refer to the following instructions.

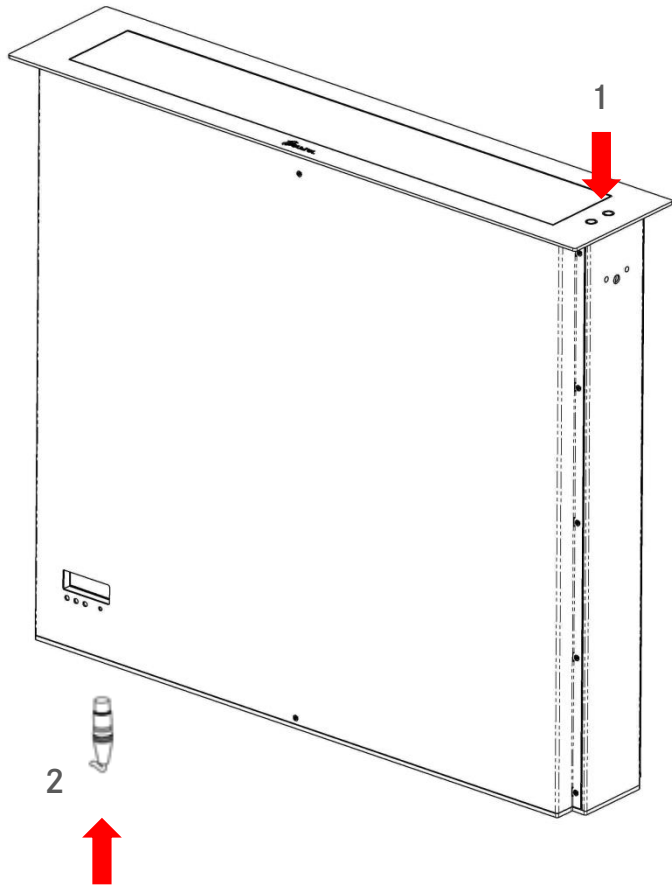


PATTERN HOLE

Pattern hole dimensions for milling are specified in the general dimensions for each reference.

ATTENTION

Excess handling of the product should be avoided, no stress should be applied to the product except from the instructions given in this document. Cutting, drilling, soldering, adding electrical or mechanical components can cause danger and should be completely avoided. Not complying with these directions will result in a loss of the Arthur Holm warranty. Albiral Display Solution S.L. will not be held liable for any loss or injury incurred as a result of modifications made to goods by anyone other than the supplier or the supplier's authorised representative without the supplier's written permission. Such modifications will mean the termination of any further guarantee obligations. Compensation will not be paid for wages, loss of profit, waste of time, packing and transport or any financial liability resulting from defects in the goods. (Albiral Display Solutions will not be liable for any loss or injury caused by negligence.)

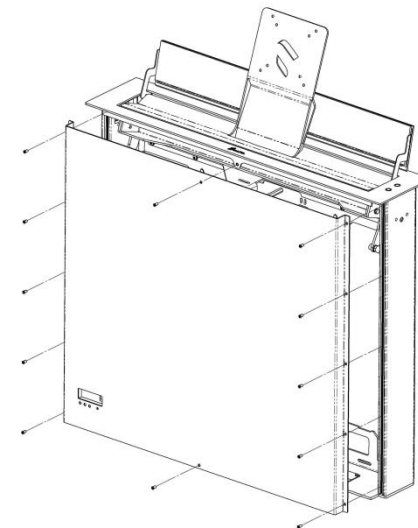


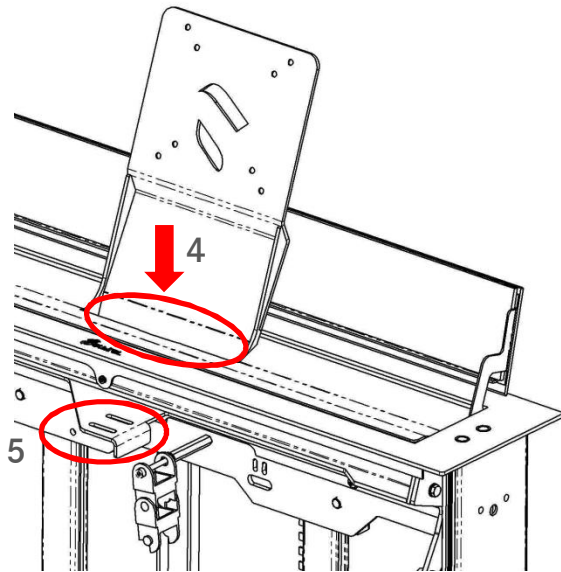
To assemble the Monitor follow the instructions below:

1. Connect the power supply to the device
2. Open the device by pressing the button up. Hold the device by the sides. Make sure that the lid will open.

Important: To follow the next steps it is necessary to disconnect the device.

3. Remove the front cover using the Torx key supplied.

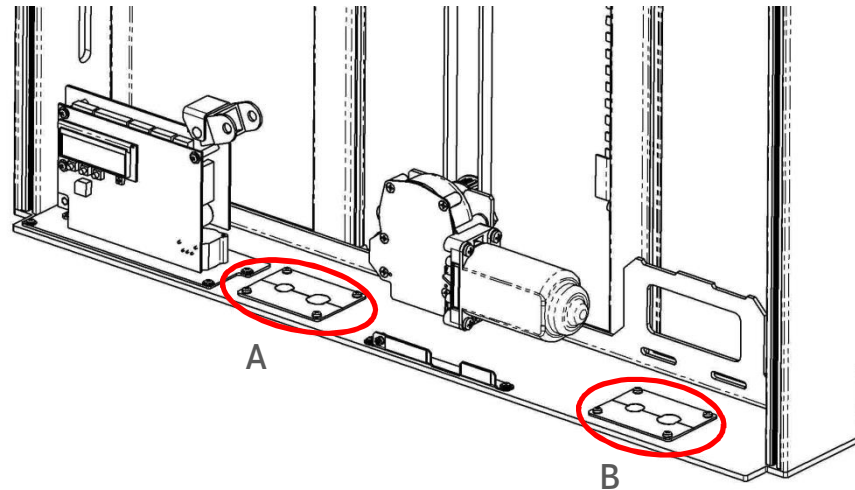




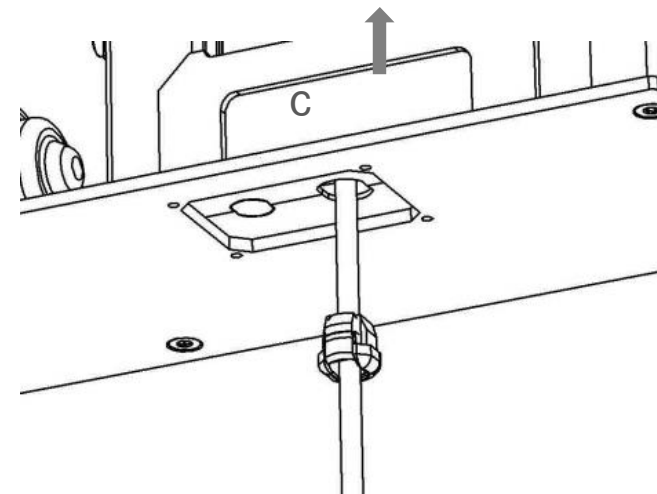
4. Pass the signal and power cable through the monitor support hole.
5. With the supplied cable tie, attach the cables to the lower support.

Please remember to leave enough cable length outside the device to connect the monitor

6. Place the cables into the plastic cable chain and close all the sections.



7. Use the best output, A or B, to remove the cables of the device: Unscrew the plates of the output chosen; depending on the diameter of the cable, break the breakable part of the plate which fits better (various cable plate configurations are supplied depending on the thickness, select the corresponding combination); Pass the cable through the hole and fix it with one of the cable glands supplied, C.



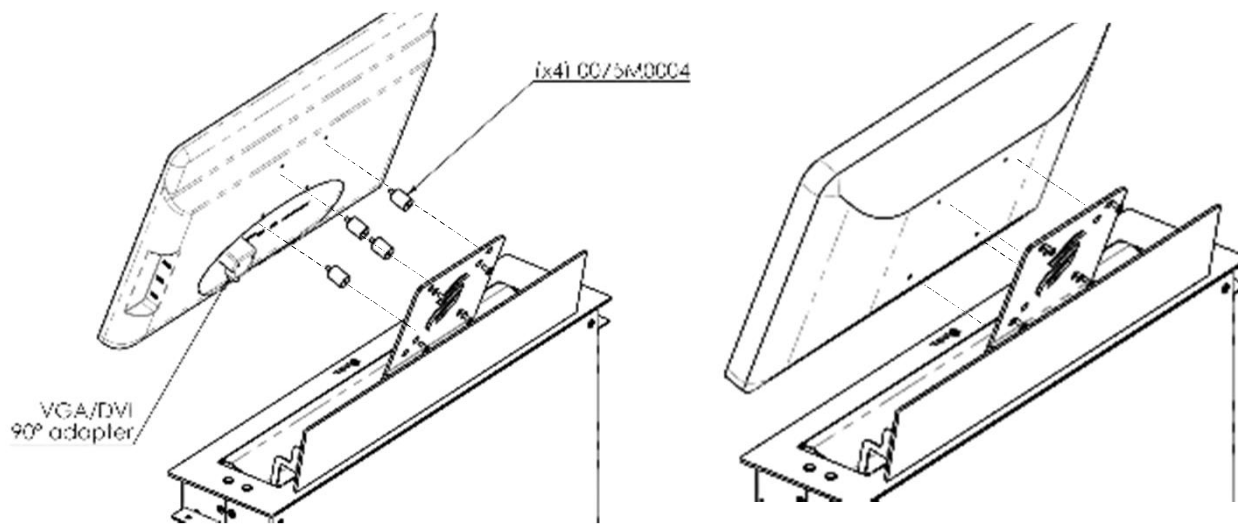


8. Assemble the monitor to the monitor support using the piece and screws supplied

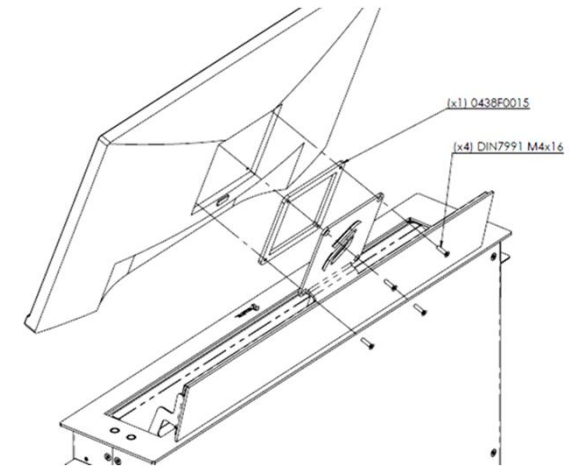
MODEL A

Horizontal
connectios

Vertical
connectios



MODEL B

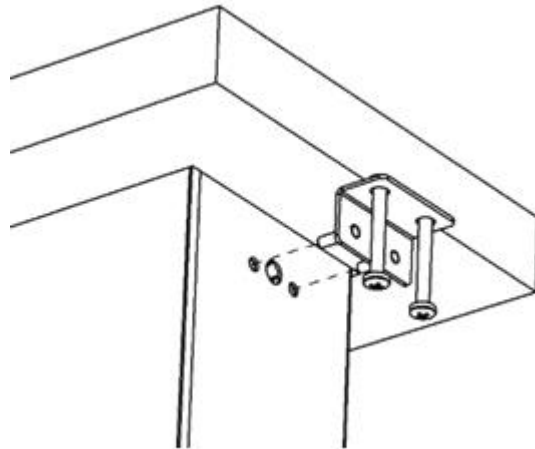




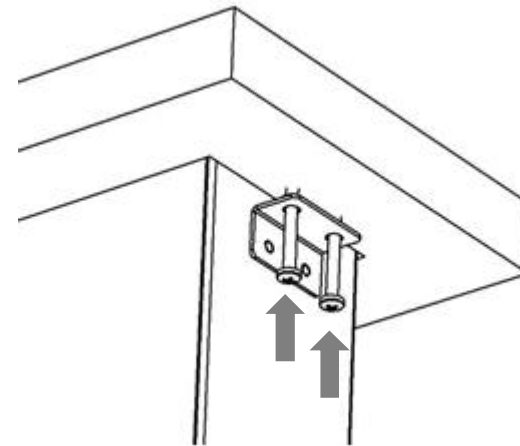
8. Assemble the front cover.
9. Connect the power supply to the device, and while holding both sides, close the monitor by pressing the Down button.

Mounting brackets:

1. Once the monitor is installed in the table, on both sides place the bracket in the holes that fit comfortably to the table thickness.



2. Tighten the 2 screws until they reach the lower surface of the table.





is a registered brand of
ALBIRAL DISPLAY SOLUTIONS, SL
Fátima 25 ,08512 St. Hipòlit de
Votregà (Barcelona – Spain)
tel. +(34) 938 502 376

www.arthurholm.com