

DTP2 T 202 FB • Setup Guide

IMPORTANT:
Go to www.extron.com for the complete user guide, installation instructions, and specifications before connecting the product to the power source.

This guide provides instructions for an experienced installer to install the Extron DTP2 T 202 FB switching transmitter into an Ackermann GB3 (OBO Betterman), MK Electric CableLink Plus Modular, MK Electric CableLink Plus Single Pan, ElectraPlan, or PUK floor box and to make all connections.

The transmitter switches between two digital video inputs (HDMI and DisplayPort) and, paired with a compatible receiver, can extend the selected signal up to 330 feet (100 m).

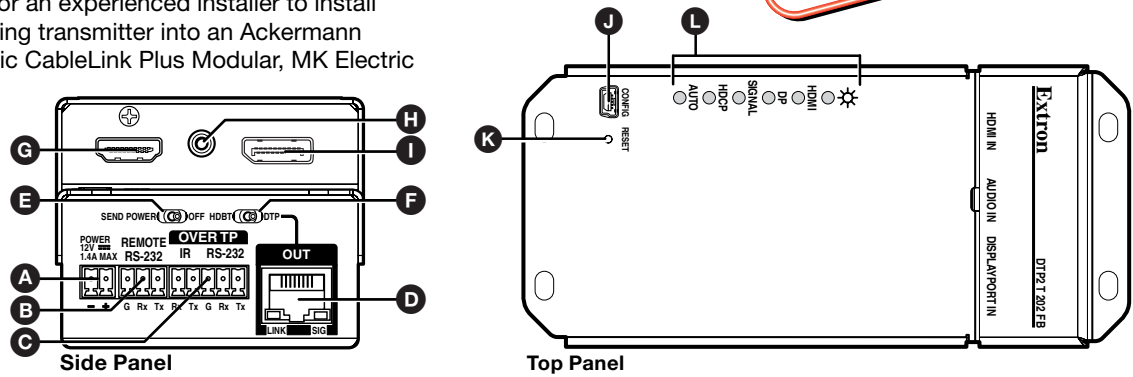


Figure 1. DTP2 T 202 FB Unit features

Side (under adapter plate) (Before installation in floor box)	Side (above adapter plate) (After installation in floor box)	Top
<ul style="list-style-type: none"> A DC power input B Remote RS-232 C RS-232/IR Over TP output D DTP output E Send power switch F TP function switch 	<ul style="list-style-type: none"> G HDMI input H Audio input I DisplayPort Input 	<ul style="list-style-type: none"> J Configuration (USB) K Reset button L LED indicators

Installation

Planning

CAUTION: Failure to check these items may result in personal injury or property damage.

ATTENTION : La non-vérification des éléments listés ci-dessous peut provoquer des blessures ou dommages matériels.

Check that the installation meets the building, electrical, and safety codes.

Mounting and Cabling

Step 1 – Preparing the floor box

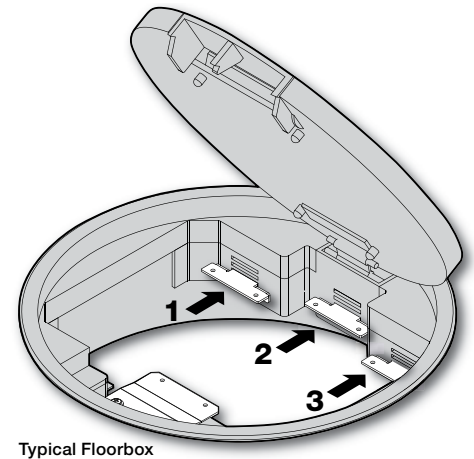
- a. Install the floor box as directed by the manufacturer.

NOTE: Run all required cables and secure them with cable clamps.

- b. Turn off or disconnect all equipment power sources.

Step 2 – Installing adapters

- a. Determine a position in the floor box to mount the switching transmitter (see the image at right).
- b. Identify the applicable adapter plates for the floor box (see the table below).
- c. Install adapter plates to the same pair of mounting slots (see the table below for slot recommendations) for the same position in the floor box. Slide the top flange into the mounting slot and rotate the adapter plate down so the bottom flange rests against the wall of the floor box.



Typical Floorbox

Floor Box	Adapter Plates	Positions	Highest Mounting Slot	Additional Notes
Ackermann GB3 (OBO Betterman)	995241 (2) 995241 (2) and 995242 (1)	1 and 3 2	3rd from top	For position 2, use the provided screws to attach the 995242 adapter plate to either 995241 adapter plate.
MK Electric CableLink Plus Single Pan	995243 (2)	1 and 3	N/A	Do not use position 2. Use mounting screws to secure the adapter plates to the floor box (see figure 3 on page 3).
MK Electric CableLink Plus Modular	995244 (2)	1, 2, and 3	3rd from top	
ElectraPlan	995300 (2)	1, 2, and 3	3rd from top	
PUK	995300 (2)	1, 2, and 3	3rd from top	

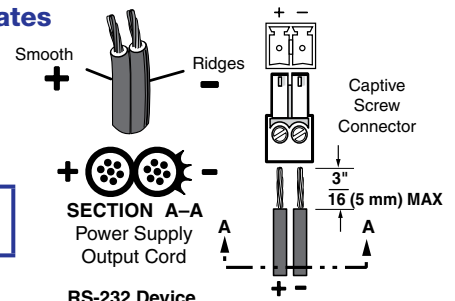
DTP2 T 202 FB • Setup Guide (Continued)

Step 3 – Make side panel connections and set switches under the adapter plates

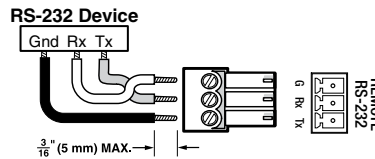
- A Power** (see **figure 1** on page 1) — Connect the included 12 VDC power supply to either unit, transmitter or receiver, as shown at right. Use the included tie-wrap to strap the cord to the captive screw connector.

Connect an IEC power cord between the power supply and a 100-240 VAC, 50-60 Hz source.

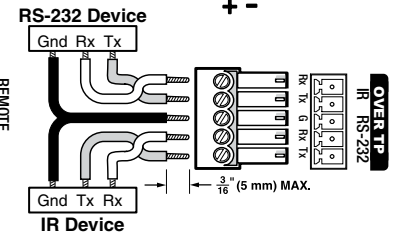
NOTE: If the TP switch (F) is in **DTP**, one power supply can power both units.
If the switch is in **HDBT**, each unit requires its own power supply.



- B Remote RS-232 port** — For serial RS-232 control, connect a host device or control system to the 3.5 mm, 3-pole captive screw connector. See the drawing at right.



- C RS-232 and IR port** — To pass serial or infrared data or control signals on the Over DTP RJ-45 output, connect the controlling device to the transmitter via the RS-232 and IR captive screw port. Connect the device to be controlled to the receiver. See the drawing at right.



- D Out port**— Connect the Out (RJ-45) port to the DTP In port on the receiver. Extron recommends that you terminate both cable ends in accordance with the following, at a minimum: TIA/EIA T 568B and 24 AWG, solid conductor, shielded cable with 400 MHz bandwidth.

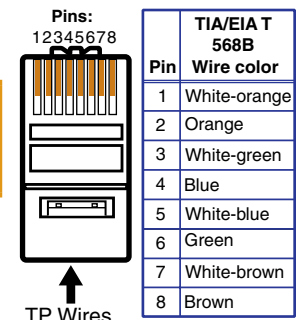
ATTENTION:

- Do not connect this connector to a computer data or telecommunications network.
- Ne connectez pas ces port à des données informatiques ou à un réseau de télécommunications.

Signal LED indicator — Lights when the device is transmitting a video signal or a test pattern.

Link LED indicator — Lights when a valid link between a DTP or HDBT input and output is established.

- E Send Power toggle switch** — In a system with a DTP2 receiver, set the toggle switch to the Send Power position (left) on the powered unit to enable sending power to the unpowered unit. Set the toggle switch to the Off position (right) on the DTP2 unit that is to receive power.



ATTENTION:

- The DTP2 device is configured to output power to DTP2 models only. If connected to a legacy DTP device, set the Send Power toggle switch to the **Off** position (right). Failure to turn the power off will damage the connected legacy DTP device.
- L'appareil DTP2 est configuré pour fournir une alimentation aux modèles DTP2 uniquement. S'il est connecté à un modèle DTP traditionnel, veuillez positionner l'interrupteur à bascule Send Power sur « **Off** » (droite). Si l'interrupteur n'est pas positionné sur off, vous risquez d'entraîner la défaillance de l'appareil DTP connecté.

- F TP function switch** —

If the receiving device is in the Extron DTP series, set this switch to **DTP**. The TP output consists of HDMI with embedded audio, analog audio, RS-232 and IR, and remote power. The transmitter and receiver can be powered by one 12 VDC power supply connected to either unit.

For an HDBaseT-enabled receiver type, set this switch to **HDBT** position. The TP output consists of HDMI with embedded audio plus RS-232 and IR. The transmitter and receiver each requires its own 12 VDC power supply.

ATTENTION:

- Position this switch **BEFORE** connecting the appropriate device to the TP connector. Failure to comply can damage the endpoint.
- Positionnez le sélecteur **AVANT** de connecter l'appareil approprié au connecteur TP. Ne pas respecter cette procédure pourrait endommager le point de connexion.

Step 4 – Mount the unit in the floor box

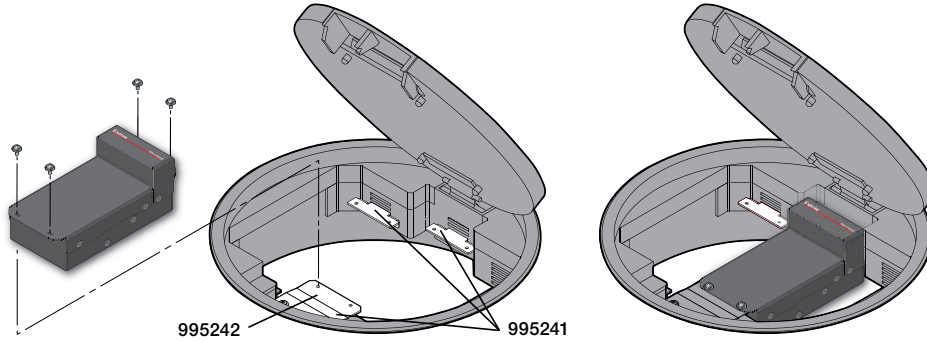
- a.** Place the DTP2 T 202 FB in the desired position in the floor box so that the side panel connectors face towards the opening of the floor box.

ATTENTION:

- Ensure there is enough space between the top panel connectors and the lid of the floor box so the lid fully closes.
- Assurez vous qu'il y ait assez d'espace entre les connecteurs du panneau supérieur et le couvercle du boîtier de sol afin que celui-ci puisse se fermer entièrement.

- b.** Using the provided self-threading screws, secure the DTP2 T 202 FB to the adapter plates (see figures 2 through 5 on the next page).

Ackermann GB3 (OBO Betterman) floor box



NOTE: For position 2, install adapter plate 995242 to one of the other adapter plates.

Figure 2. DTP2 T 202 FB Unit in an Ackermann GB3 (OBO Betterman) Floor Box

MK Electric CableLink Plus Single Pan floor box

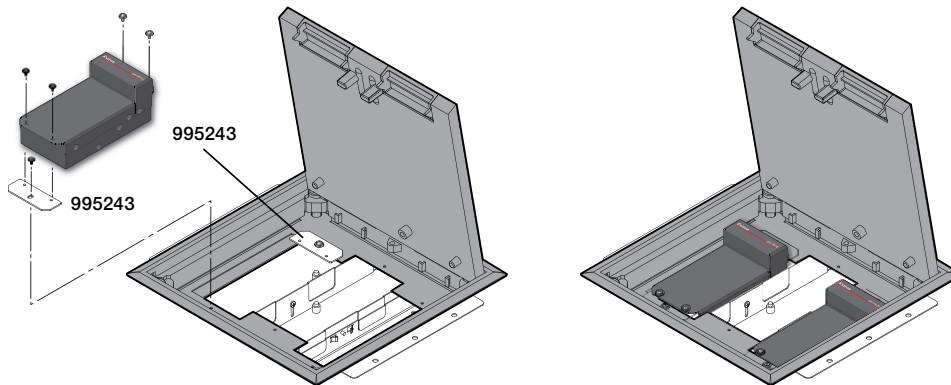


Figure 3. DTP2 T 202 FB Unit in an MK Electric CableLink Plus Single Pan Floor Box

MK Electric CableLink Plus Modular floor box

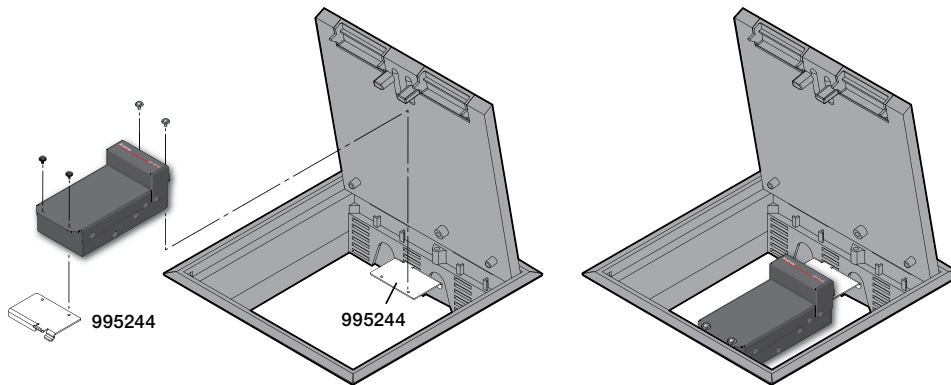


Figure 4. DTP2 T 202 FB Unit in an MK Electric CableLink Plus Modular Floor Box

ElectraPlan or PUK floor box

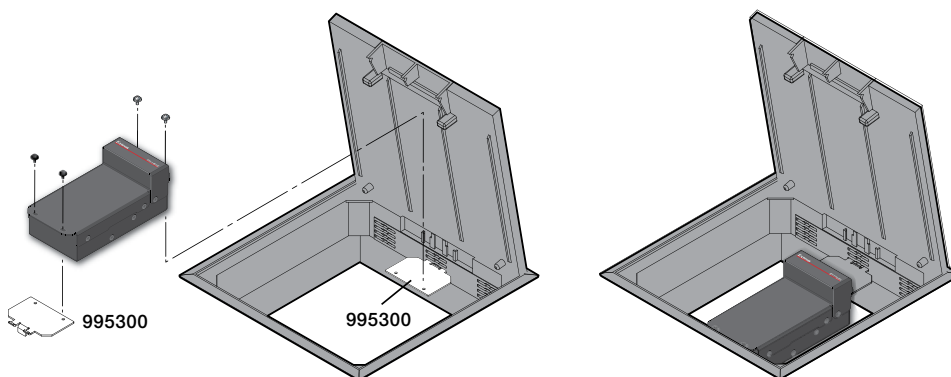


Figure 5. DTP2 T 202 FB Unit in an ElectraPlan (or PUK) Floor Box

DTP2 T 202 FB • Setup Guide (Continued)

Step 5 – Make side panel connections above the adapter plates

G HDMI input port (see [figure 1](#) on page 1) — Connect an HDMI cable between this port and the HDMI output port of a video source.

NOTE: See “LockIt® Lacing Brackets” to securely fasten the HDMI connector to the transmitter.

H Audio input — Connect an unbalanced stereo audio source to this 3.5 mm mini stereo jack for an analog audio input.

I DisplayPort Input port — Connect a DisplayPort cable between this port and the DisplayPort output port of a video source.

Step 6 – Make top panel connections

J Configuration port — Plug a PC or other controlling device into the switching transmitter via this top panel mini-USB connector for remote configuration of the switching transmitter.

K Reset button — This button initiates two levels of reset. See the *DTP2 T 202 FB User Guide*, available at www.extron.com, for details.

Operation

After all connected devices are connected and powered on, the system is fully operational. The switching transmitter can be configured and controlled using Extron Simple Instruction Set (SIS) commands (see the *DTP2 T 202 FB User Guide* available at www.extron.com).

Indicators (L, see figure 1)

Power LED — Lights when power is applied.

HDMI LED — Lights when the HDMI input signal is detected.

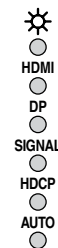
DP LED — Lights when a DisplayPort input signal is detected.

Signal LED — Lights to indicate when a signal is detected on the selected input.

HDCP LED — Lights when the HDMI input signal is encrypted.

Auto LED — Lights when device is in auto switch mode. Auto switch is on by default.

When auto switch mode is on, the switcher automatically selects the input, HDMI or DisplayPort, that has a valid signal present. When signals are present on both inputs, the switcher selects DisplayPort.



NOTE: Auto switch mode can be toggled off and on using the SIS commands. Issue the `[Esc]nAUSW←` SIS command, where $n = \emptyset$ (off) or 1 (on). The switcher responds with `Auswn←`. See the *DTP2 T 202 FB User Guide*, available at www.extron.com, for details.

LockIt® Lacing Brackets

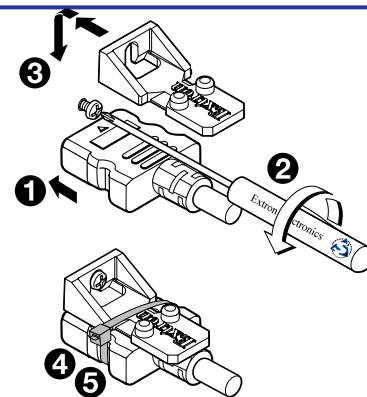
Use the included LockIt Lacing Brackets to securely fasten the HDMI cable as follows.

1. Plug the HDMI cable into the panel connection.
2. Loosen the HDMI connection mounting screw from the panel enough to allow the LockIt lacing bracket to be placed over it. The screw does not have to be removed.
3. Place the LockIt lacing bracket on the screw and against the HDMI connector, then tighten the screw to secure the bracket.

ATTENTION:

- Do not overtighten the HDMI connector mounting screw. The shield it fastens to is very thin and can easily be stripped.
- Ne serrez pas trop la vis de montage du connecteur HDMI. Le blindage auquel elle est attachée est très fin et peut facilement être dénudé.

4. Loosely place the included tie wrap around the HDMI connector and the LockIt lacing bracket as shown.
5. While holding the connector securely against the lacing bracket, use pliers or similar tools to tighten the tie wrap, then remove any excess length.



For information on safety guidelines, regulatory compliances, EMI/EMF compatibility, accessibility, and related topics, see the [Extron Safety and Regulatory Compliance Guide](#) on the Extron website.