

# FUZE MAX SPOT

user manual

©2023 ELATION PROFESSIONAL all rights reserved. Information, specifications, diagrams, images, and instructions herein are subject to change without notice. ELATION PROFESSIONAL logo and identifying product names and numbers herein are trademarks of ELATION PROFESSIONAL. Copyright protection claimed includes all forms and matters of copyrightable materials and information now allowed by statutory or judicial law or hereinafter granted. Product names used in this document may be trademarks or registered trademarks of their respective companies and are hereby acknowledged. All non-ELATION brands and product names are trademarks or registered trademarks of their respective companies.

**ELATION PROFESSIONAL** and all affiliated companies hereby disclaim any and all liabilities for property, equipment, building, and electrical damages, injuries to any persons, and direct or indirect economic loss associated with the use or reliance of any information contained within this document, and/or as a result of the improper, unsafe, insufficient and negligent assembly, installation, rigging, and operation of this product.

**Elation Professional USA | 6122 S. Eastern Ave. | Los Angeles, CA. 90040**

323-582-3322 | 323-832-9142 fax | [www.elationlighting.com](http://www.elationlighting.com) | [info@elationlighting.com](mailto:info@elationlighting.com)

**Elation Professional B.V. | Junostraat 2 | 6468 EW Kerkrade, The Netherlands**

+31 45 546 85 66 | +31 45 546 85 96 fax | [www.elationlighting.eu](http://www.elationlighting.eu) | [info@elationlighting.eu](mailto:info@elationlighting.eu)

**Elation Professional Mexico | AV Santa Ana 30 | Parque Industrial Lerma, Lerma, Mexico 52000**

+52 (728) 282-7070

## DOCUMENT VERSION



Due to additional product features and/or enhancements, an updated version of this document may be available online. Please scan the QR Code with your mobile device or visit [www.elationlighting.com](http://www.elationlighting.com) for the latest revision/update of this manual, before installation and/or programming.

Date	Document Version	SoftwareVersion ≥	DMX Channel Modes	Notes
01/31/2022	1.0	1.0.0	34/44/32/40	Initial Release
05/19/2022	1.1	N/C	N/C	Updated Specifications
08/09/2022	1.2	N/C	N/C	Updated Connectors
01/03/2023	1.3	N/C	N/C	Updated Specifications
03/09/2023	1.4	N/C	N/C	Added CCT Table; updated Fixture Transport and Handling, Maintenance Guidelines, Dimensional Drawing, Specifications

# CONTENTS

<b>General Information</b>	<b>4</b>
<b>Limited Warranty (USA Only)</b>	<b>5</b>
<b>Safety Guidelines</b>	<b>6</b>
<b>Fixture Transport and Handling</b>	<b>8</b>
<b>Maintenance Guidelines</b>	<b>9</b>
<b>Overview</b>	<b>10</b>
<b>Colors</b>	<b>11</b>
<b>Gobos &amp; Gobo Wheels</b>	<b>12</b>
<b>Gobo Installation</b>	
Rotating Gobo Wheel 1	<b>13</b>
Fixed Gobo Wheel	<b>14</b>
<b>Gobo Dimensions</b>	<b>15</b>
<b>Fan Modes and Low Noise Operation</b>	<b>16</b>
<b>Hibernation Mode</b>	<b>17</b>
<b>Snoot Installation</b>	<b>18</b>
<b>Installation Guidelines</b>	<b>19</b>
<b>System Menu</b>	<b>23</b>
<b>Dimmer Mode</b>	<b>26</b>
<b>DMX Traits: Channel Functions &amp; Values</b>	<b>27</b>
<b>CCT Table</b>	<b>34</b>
<b>Remote Device Management (RDM)</b>	<b>35</b>
<b>Error Codes</b>	<b>36</b>
<b>Specifications</b>	<b>37</b>
<b>Dimensions</b>	<b>38</b>
<b>Optional Accessories   FCC Statement</b>	<b>40</b>

# GENERAL INFORMATION

## INTRODUCTION

Please read and understand the instructions in this manual carefully and thoroughly before attempting to operate this device. These instructions contain important safety and use information. For professional use only.

## COOLING

After usage, the lamp may be switched off, but the fixture should remain connected to power in order to allow the fan time to cool down the fixture.

## UNPACKING

Every device has been thoroughly tested and has been shipped in perfect operating condition. Carefully check the shipping carton for damage that may have occurred during shipping. If the carton is damaged, carefully inspect the device for damage, and be sure all accessories necessary to install and operate the device have arrived intact. In the event damage has been found or parts are missing, please contact our customer support team for further instructions. Please do not return this device to your dealer without first contacting customer support. Please do not discard the shipping carton in the trash. Please recycle whenever possible.

## BOX CONTENTS

Omega Brackets (x2)  
IP65 Rated Twist-Lock Power Cable

## CUSTOMER SUPPORT

Contact ELATION Service for any product related service and support needs. Also visit [forums.elationlighting.com](http://forums.elationlighting.com) with questions, comments or suggestions.

**ELATION SERVICE USA - Monday - Friday 8:00am to 4:30pm PST**  
**323-582-3322 | Fax 323-832-9142 | [support@elationlighting.com](mailto:support@elationlighting.com)**

**ELATION SERVICE EUROPE - Monday - Friday 08:30 to 17:00 CET**  
**+31 45 546 85 63 | Fax +31 45 546 85 96 | [support@elationlighting.eu](mailto:support@elationlighting.eu)**

**REPLACEMENT PARTS** please visit [parts.elationlighting.com](http://parts.elationlighting.com)

## LIMITED WARRANTY (USA ONLY)

- A. Elation Professional hereby warrants, to the original purchaser, Elation Professional products to be free of manufacturing defects in material and workmanship for a period of two years (730 days), and Elation Professional product rechargeable batteries to be free of manufacturing defects in material and workmanship for a period of six months (180 days), from the original date of purchase. This warranty excludes discharge lamps and all product accessories. This warranty shall be valid only if the product is purchased within the United States of America, including possessions and territories. It is the owner's responsibility to establish the date and place of purchase by acceptable evidence, at the time service is sought.
- B. For warranty service, send the product only to the Elation Professional factory. All shipping charges must be pre-paid. If the requested repairs or service (including parts replacement) are within the terms of this warranty, Elation Professional will pay return shipping charges only to a designated point within the United States. If any product is sent, it must be shipped in its original package and packaging material. No accessories should be shipped with the product. If any accessories are shipped with the product, Elation Professional shall have no liability what so ever for loss and/or damage to any such accessories, nor for the safe return thereof.
- C. This warranty is void if the product serial number and/or labels are altered or removed; if the product is modified in any manner which Elation Professional concludes, after inspection, affects the reliability of the product; if the product has been repaired or serviced by anyone other than the Elation Professional factory unless prior written authorization was issued to purchaser by Elation Professional; if the product is damaged because not properly maintained as set forth in the product instructions, guidelines and/or user manual.
- D. This is not a service contract, and this warranty does not include any maintenance, cleaning or periodic check-up. During the periods as specified above, Elation Professional will replace defective parts at its expense, and will absorb all expenses for warranty service and repair labor by reason of defects in material or workmanship. The sole responsibility of Elation Professional under this warranty shall be limited to the repair of the product, or replacement thereof, including parts, at the sole discretion of Elation Professional. All products covered by this warranty were manufactured after January 1, 1990, and bare identifying marks to that effect.
- E. Elation Professional reserves the right to make changes in design and/or performance improvements upon its products without any obligation to include these changes in any products theretofore manufactured.
- F. No warranty, whether expressed or implied, is given or made with respect to any accessory supplied with the products described above. Except to the extent prohibited by applicable law, all implied warranties made by Elation Professional in connection with this product, including warranties of merchantability or fitness, are limited in duration to the warranty periods set forth above. And no warranties, whether expressed or implied, including warranties of merchantability or fitness, shall apply to this product after said periods have expired. The consumer's and/or dealer's sole remedy shall be such repair or replacement as is expressly provided above; and under no circumstances shall Elation Professional be liable for any loss and/or damage, direct and/or consequential, arising out of the use of, and/or the inability to use, this product.
- G. This warranty is the only written warranty applicable to Elation Professional products and supersedes all prior warranties and written descriptions of warranty terms and conditions heretofore published.

### WARRANTY RETURNS

All returned service items whether under warranty or not, must be freight pre-paid and accompany a return authorization (R.A.) number. The R.A. number must be clearly written on the outside of the return package. A brief description of the problem as well as the R.A. number must also be written down on a piece of paper and included in the shipping container. If the unit is under warranty, you must provide a copy of your proof of purchase invoice. Items returned without a R.A. number clearly marked on the outside of the package will be refused and returned at customer's expense. You may obtain a R.A. number by contacting customer support.

# SAFETY GUIDELINES

This fixture is a sophisticated piece of electronic equipment. To guarantee a smooth operation, it is important to follow all instructions and guidelines in this manual. Elation Professional is not responsible for injury and/or damages resulting from the misuse of this fixture due to the disregard of the information printed in this manual. Only qualified and/or certified personnel should perform installation of this fixture and only the original rigging parts (omega brackets) included with this fixture should be used for installation. Any modifications to the fixture and/or the included mounting hardware will void the original manufacturer's warranty and increase the risk of damage and/or personal injury.



**PROTECTION CLASS 1 - FIXTURE MUST BE PROPERLY GROUNDED.**



**THERE ARE NO USER SERVICEABLE PARTS INSIDE THIS UNIT.  
DO NOT ATTEMPT ANY REPAIRS YOURSELF; DOING SO WILL VOID YOUR MANUFACTURER'S WARRANTY. DAMAGES RESULTING FROM MODIFICATIONS TO THIS FIXTURE AND/OR THE DISREGARD OF SAFETY INSTRUCTIONS AND GUIDELINES IN THIS MANUAL VOID THE MANUFACTURE'S WARRANTY AND ARE NOT SUBJECT TO ANY WARRANTY CLAIMS AND/OR REPAIRS.**



**DO NOT PLUG FIXTURE INTO A DIMMER PACK!  
NEVER OPEN THIS FIXTURE WHILE IN USE!  
UNPLUG POWER BEFORE SERVICING FIXTURE!  
NEVER TOUCH FIXTURE DURING OPERATION, AS IT MAY BE HOT!  
KEEP FLAMMABLE MATERIALS AWAY FROM FIXTURE!**



**NEVER LOOK DIRECTLY INTO THE LIGHT SOURCE!  
RETINA INJURY RISK - MAY INDUCE BLINDNESS!  
SENSITIVE PERSONS MAY SUFFER AN EPILEPTIC SHOCK!**



**INDOOR / DRY LOCATIONS USE ONLY!  
DO NOT EXPOSE FIXTURE TO RAIN AND MOISTURE!**



**MINIMUM DISTANCE TO OBJECTS/SURFACES  
MUST BE 65.6 FEET (20 METERS)  
MAXIMUM TEMP OF EXTERNAL SURFACE 185° F (85°C)  
MINIMUM DISTANCE OF INFLAMMABLE MATERIALS  
FROM THE SURFACE 1.6 FEET (0.5 METER)**

# SAFETY GUIDELINES



71.2 lbs. (32.3kg)

## WARNING

### TWO PERSON LIFT REQUIRED

## ! CAUTION

### HIGH INTENSITY ULTRAVIOLET LIGHT



AVOID DIRECT EYE & SKIN EXPOSURE.  
WEAR PROPER EYE & SKIN PROTECTION.  
SEE MANUAL FOR SAFETY INSTRUCTIONS.

RISK GROUP 3 - RISK OF EXPOSURE TO ULTRAVIOLET UV RADIATION! FIXTURE EMITS HIGH INTENSITY WAVELENGTH OF ULTRAVIOLET UV LIGHT FROM THE UV COLOR FILTER. WEAR PROPER EYE AND SKIN PROTECTION. AVOID PROLONGED PERIODS OF EXPOSURE TO UV COLOR FILTER. AVOID WEARING WHITE COLOR CLOTHING AND/OR USING UV PAINTS ON SKIN. AVOID DIRECT EYE AND/OR SKIN EXPOSURE AT DISTANCES LESS THAN 65.6 feet (20m). DO NOT OPERATE FIXTURE WITH DAMAGED/MISSING EXTERNAL COVERS. DO NOT LOOK DIRECTLY INTO THE UV LIGHT AND/OR VIEW UV LIGHT DIRECTLY WITH OPTICAL INSTRUMENTS THAT MAY CONCENTRATE THE LIGHT/RADIATION OUTPUT. INDIVIDUALS SUFFERING FROM A RANGE OF EYE CONDITIONS, SUNLIGHT

EXPOSURE DISORDERS, OR INDIVIDUALS USING PHOTSENSITIVE MEDICATION, MAY RECEIVE DISCOMFORT IF EXPOSED TO THE ULTRAVIOLET UV LIGHT EMITTED FROM THE UV LED.

DO NOT TOUCH the fixture housing during operation. Turn OFF the power and allow approximately 15 minutes for the fixture to cool down before serving.

DO NOT shake fixture, avoid brute force when installing and/or operating fixture.

DO NOT operate fixture if the power cord is frayed, crimped, damaged and/or if any of the power cord connectors are damaged and do not insert into the fixture securely with ease. NEVER force a power cord connector into the fixture. If the power cord or any of its connectors are damaged, replace it immediately with a new one of similar power rating.

DO NOT block any air ventilation slots.

All fan and air inlets must remain clean and never blocked.

Allow approx. 6" (15cm) between fixture and other devices or a wall for proper cooling.

Always disconnect fixture from main power source before performing any type of service and/or cleaning procedure. Only handle the power cord by the plug end, never pull out the plug by tugging the wire portion of the cord.

During the initial operation of this fixture, a light smoke or smell may emit from the interior of the fixture. This is a normal process and is caused by excess paint in the interior of the casing burning off from the heat associated with the lamp and will decrease gradually over time.

Consistent operational breaks will ensure fixture will function properly for many years.

ONLY use the original packaging and materials to transport the fixture in for service.

# FIXTURE TRANSPORT AND HANDLING

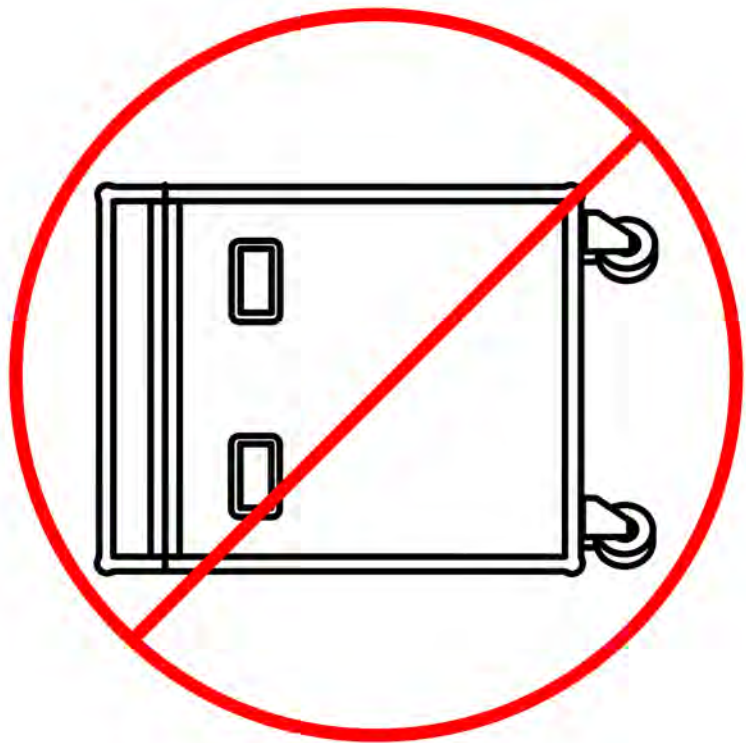
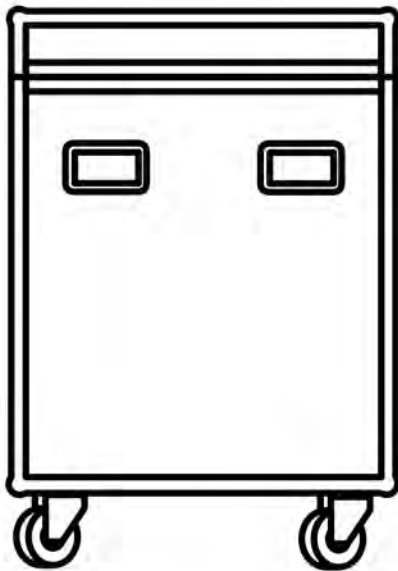
## POTENTIAL INTERNAL DAMAGE FROM 'TIPPING' FIXTURE DURING TRANSPORT AND HANDLING

Note that not all features listed are available on all fixtures; the following instructions may not apply.

Depending on the model, large format fixtures may contain delicate optics and glass filters. While this product was carefully designed to be roadworthy, it must be handled carefully during transportation. If the fixture contains color flags, before transport, ensure that color flags inside the unit are placed in an OPEN position.

For superior impact protection, some fixtures are shipped in a custom fitted high-density Foam Inlay (FIL). This FIL must be used inside the road-cases for transportation.

**DO NOT TIP THE CASE OVER, AND AVOID ALL SHOCKS AND ROUGH HANDLING, ESPECIALLY "TIPPING", THE PRACTICE OF TIPPING THE FIXTURE-CASE OVER TO ITS SIDE AND ONTO A HARD SURFACE. THE CASE MUST RIDE ON ITS WHEELS SO THAT THE FIXTURE-HEAD REMAINS HORIZONTAL DURING TRANSPORTATION.**



# MAINTENANCE GUIDELINES



**DISCONNECT POWER BEFORE PERFORMING ANY MAINTENANCE!**

## CLEANING

Frequent cleaning is recommended to insure proper function, optimized light output, and an extended life. The frequency of cleaning depends on the environment in which the fixture operates: damp, smoky or particularly dirty environments can cause greater accumulation of dirt on the fixture's optics. Clean the external lens surface at least every 20 days with a soft cloth to avoid dirt/debris accumulation.

**NEVER** use alcohol, solvents, or ammonia-based cleaners.

## MAINTENANCE

Regular inspections are recommended to insure proper function and extended life.

There are no user serviceable parts inside this fixture, please refer all other service issues to an authorized Elation service technician. Should you need any spare parts, please order genuine parts from an authorized Elation dealer.

Please refer to the following points during routine inspections:

A detailed electric check by an approved electrical engineer every three months, to make sure the circuit contacts are in good condition and prevent overheating.

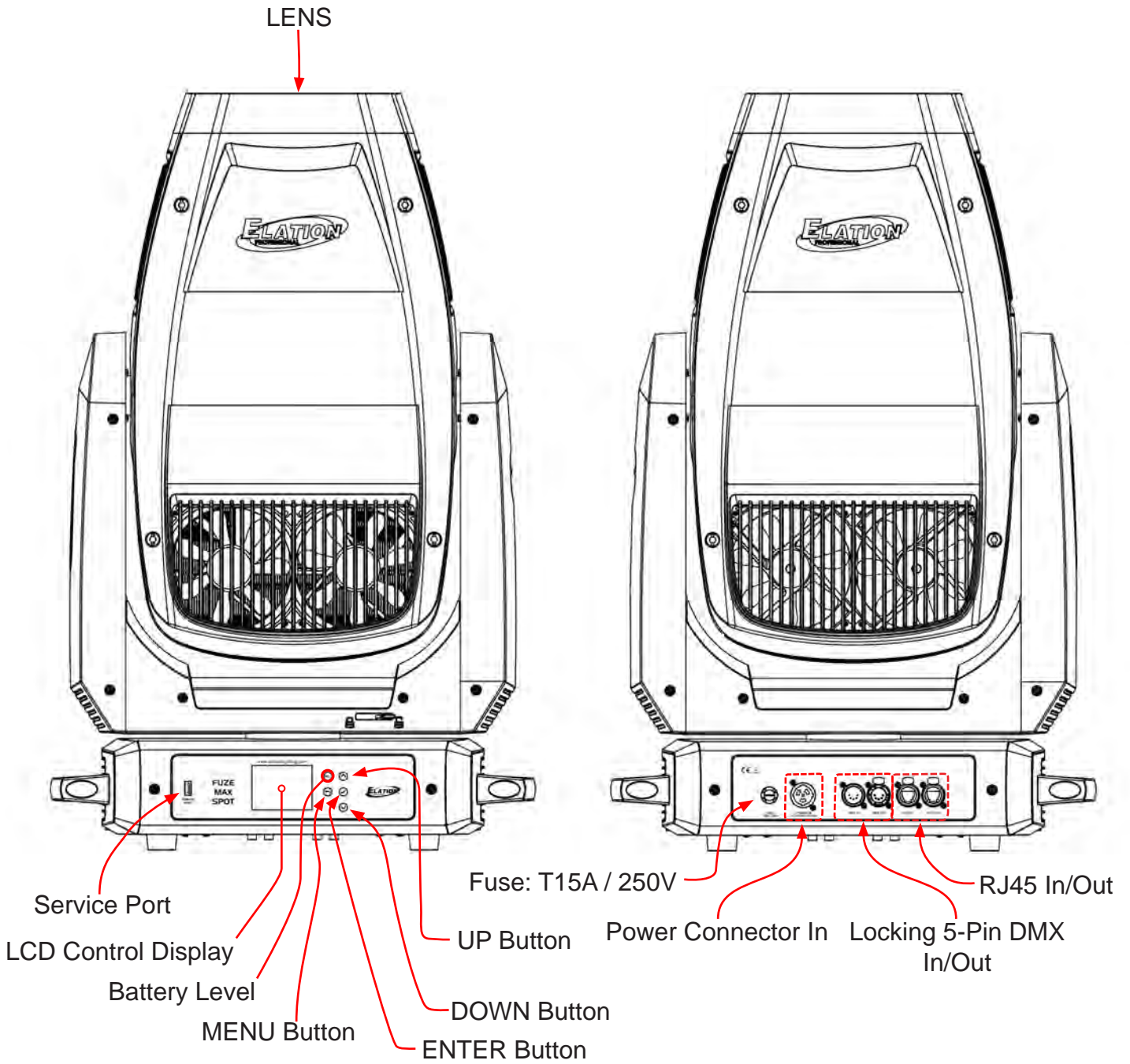
Be sure all screws and fasteners are securely tightened at all times. Loose screws may fall out during normal operation resulting in damage or injury as larger parts could fall.

Check for any deformations on the housing, color lenses, rigging hardware and rigging points (ceiling, suspension, trussing). Deformations in the housing could allow for dust to enter into the fixture. Damaged rigging points or unsecured rigging could cause the fixture to fall and seriously injure a person(s).

Electric power supply cables must not show any damage, material fatigue or sediments.

**NEVER** remove the ground prong from the power cable.

# OVERVIEW



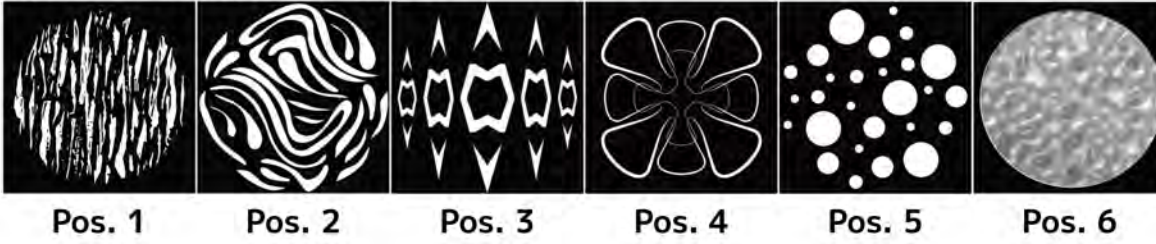
# COLORS

Colors	Color Temperature	Green Shift
Cyan	2700K – 8500K	Full Minus Green to Neutral
Magenta		
Yellow		
Red		Neutral White
Green		
Blue		Neutral to Full Plus Green
Mint		
Amber		

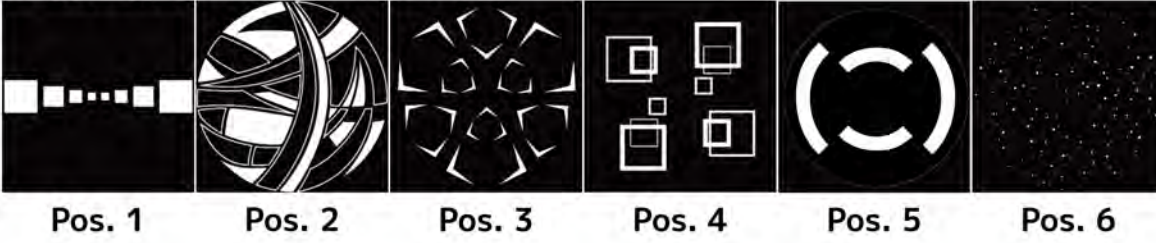
VIRTUAL GEL SWATCH BOOK COLORS								
Value	Filter Number	Name	Value	Filter Number	Name	Value	Filter Number	Name
1	7	Pale Yellow	21	157	Pink	41	68	Sky Blue
2	103	Straw	22	36	Medium Pink	42	143	Pale Navy Blue
3	151	Gold Tint	23	111	Dark Pink	43	131	Marine Blue
4	100	Spring Yellow	24	128	Bright Pink	44	115	Peacock Blue
5	10	Medium Yellow	25	148	Bright Rose	45	172	Lagoon Blue
6	101	Yellow	26	332	Special Rose Pink	46	116	Medium Blue Green
7	104	Deep Amber	27	793	Vanity Fair	47	90	Dark Yellow Green
8	15	Deep Straw	28	113	Magenta	48	139	Primary Green
9	179	Loving Amber	29	46	Dark Magenta	49	122	Fern Green
10	21	Gold Amber	30	48	Rose Purple	50	89	Moss Green
11	105	Orange	31	126	Mauve	51	124	Dark Green
12	158	Deep Orange	32	49	Medium Purple	52	88	Lime Green
13	22	Dark Amber	33	58	Lavender	53	138	Pale Green
14	778	Millennium Gold	34	199	Palace Blue	54	203	Quarter CT Blue
15	135	Deep Golden Amber	35	119	Dark Blue	55	202	Half CT Blue
16	24	Scarlet	36	132	Medium Blue	56	201	FULL CT Blue
17	106	Primary Red	37	120	Deep Blue	57	200	Double CT Blue
18	26	Bright Red	38	165	Daylight Blue	58	206	Quarter CT Orange
19	27	Medium Red	39	161	Slate Blue	59	205	Half CT Orange
20	19	Fire	40	118	Light Blue	60	204	FULL CT Orange

# GOBOS & GOBO WHEELS

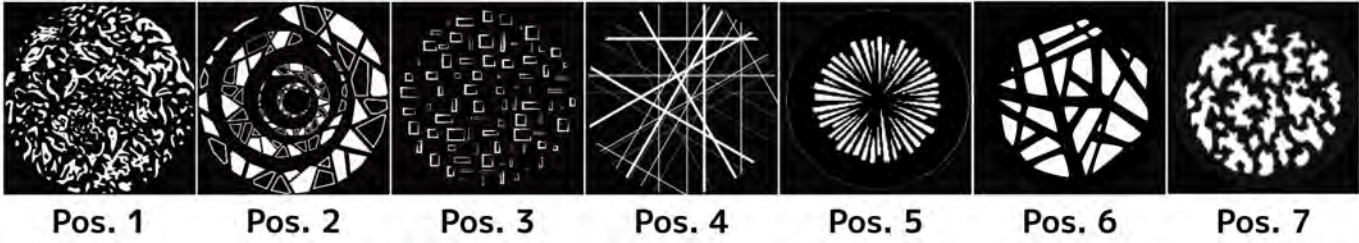
## ROTATING GOBO WHEEL 1



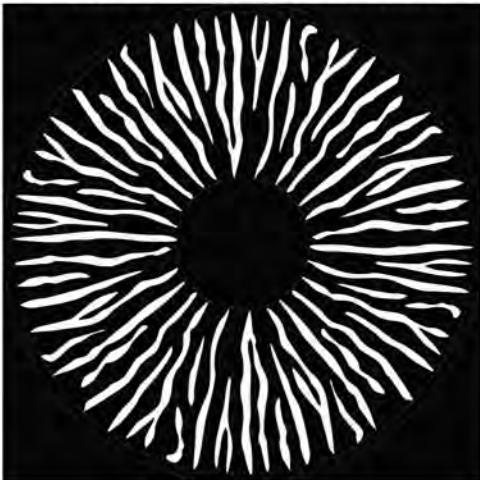
## ROTATING GOBO WHEEL 2



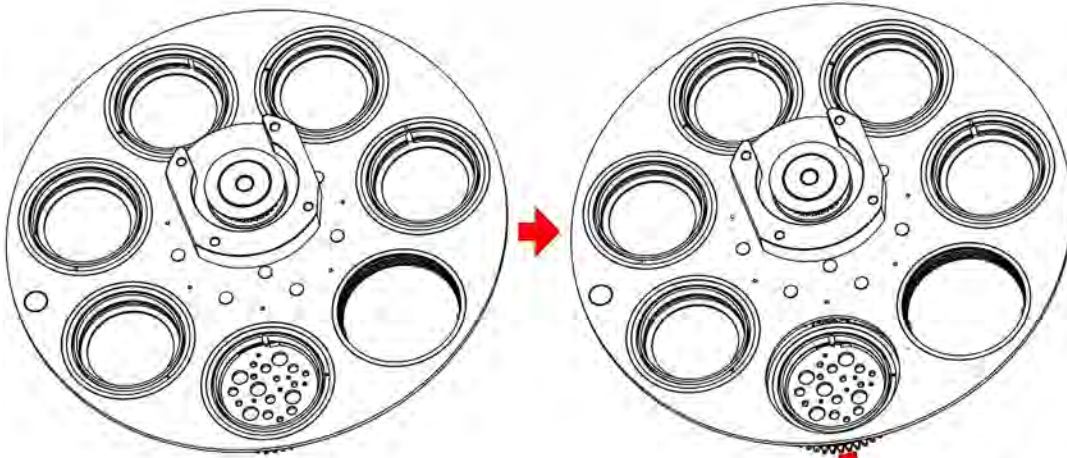
## FIXED GOBO WHEEL 1



## BI-DIRECTIONAL ANIMATION WHEEL

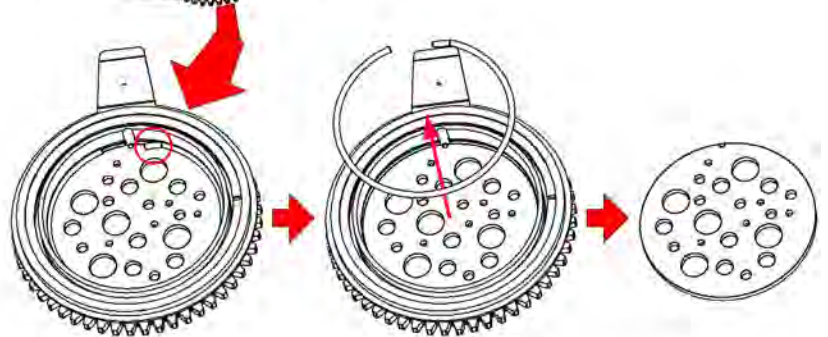


# GOBO INSTALLATION - ROTATING GOBO WHEEL 1



Locate the Rotating GOBO being replaced. Carefully press the GOBO Holder down, then pull it out and away until it fully clears the Fixed GOBO Wheel.

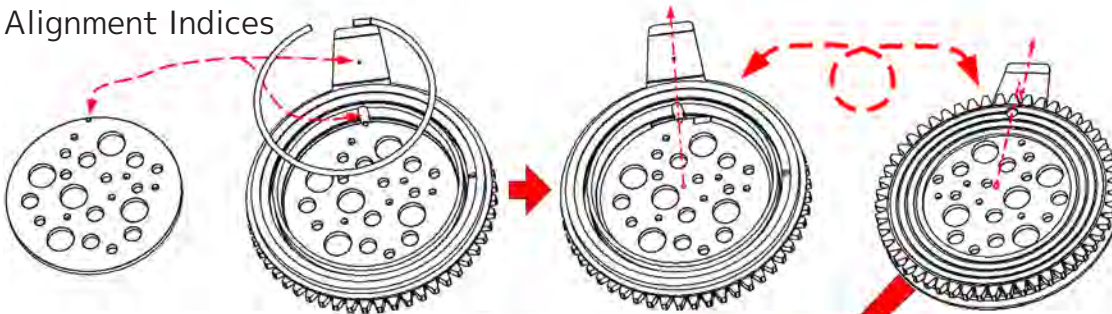
Locate the tab of the Retention Spring, and with a precision pick (or similar tool), carefully press the Retaining Spring inward to relieve the tension. Remove the retaining spring and carefully separate the GOBO from the GOBO Holder.



## CAUTION: TAKE CARE NOT TO SCRATCH GOBO OR GOBO HOLDER

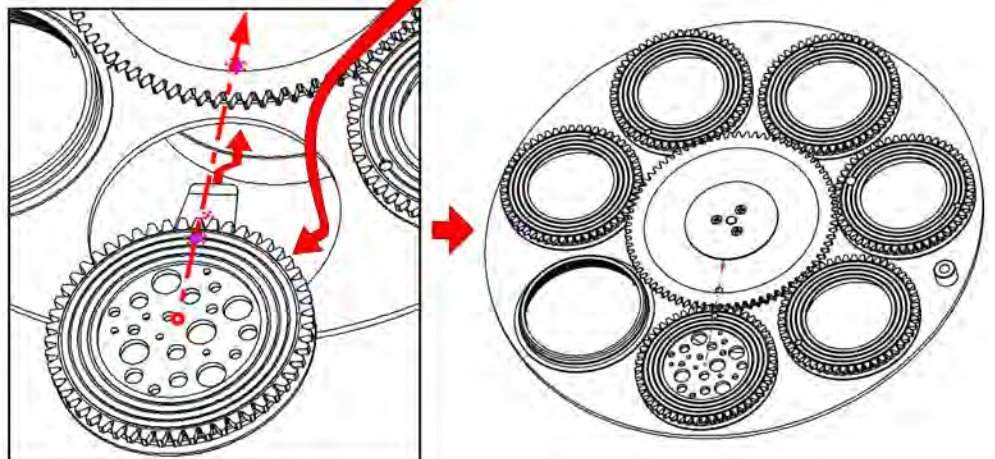
To ensure proper Gobo orientation on the Rotating Gobo Wheel, align the Alignment Indices before installing the Retention Spring. These indices are the notch in the Gobo Holder, the dot on the top and bottom of the Gobo Holder Retention Tab, and the Gobo itself.

Alignment Indices

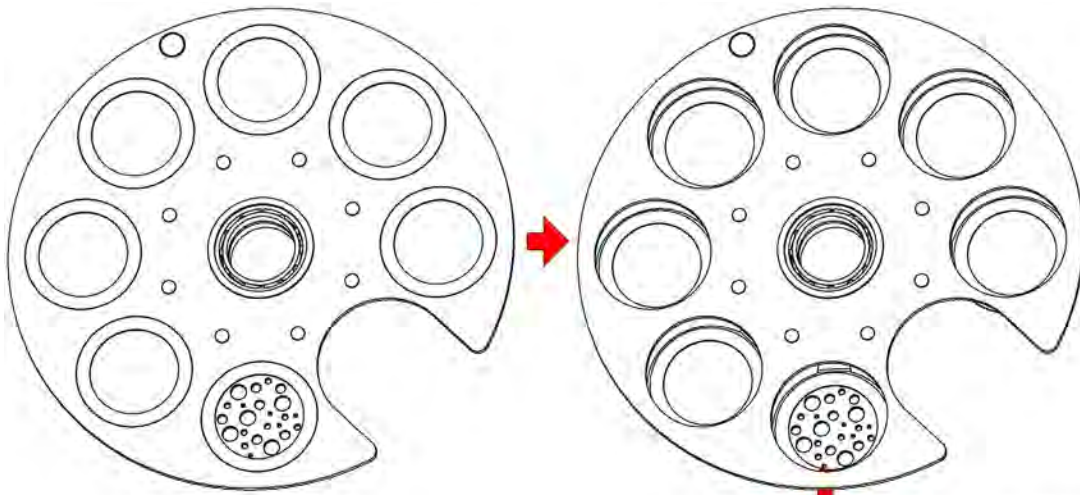


Note that the Gobo Holder straddles the Rotating Gobo Wheel in the Gobo Holder Slot, with the gearing on one side, and the Retention Tab is on the other.

Rotate the Gear of the Rotating Gobo Wheel until the Gear Alignment Dot on the bottom of the Rotating Gobo Wheel is lined up with the empty Gobo Holder Slot. Install the Gobo Holder Tab into the Gobo Holder Tab Receptacle and press until the Gobo Holder gently springs into the empty Gobo Holder Slot.

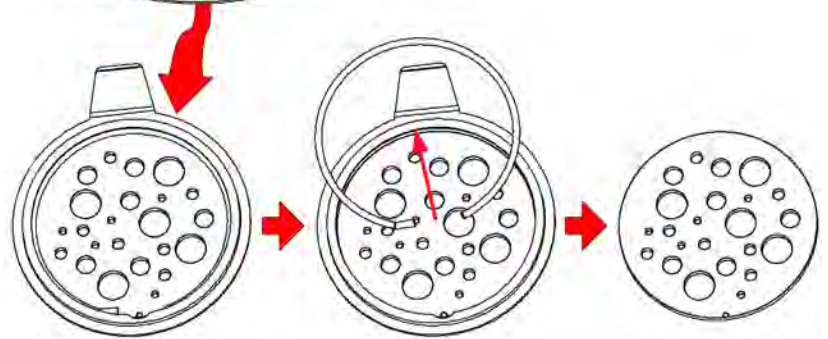


# GOBO INSTALLATION - FIXED GOBO WHEEL



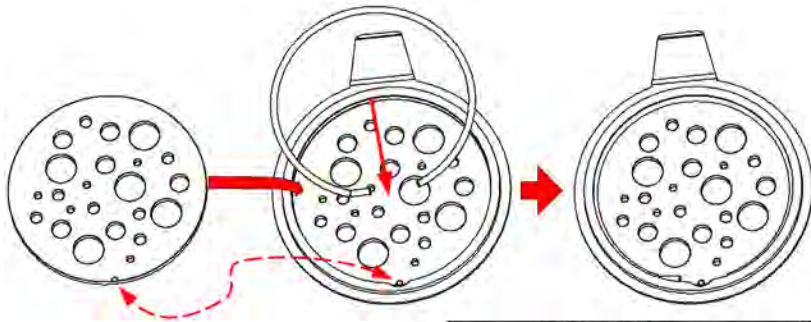
Locate the Fixed Gobo being replaced. Carefully press the Gobo Holder down, then pull it out and away until it fully clears the GOBO Wheel.

Locate the tab of the Retention Spring, and with a precision pick (or similar tool), carefully press the Retention Spring inward to relieve the tension. Remove the retaining spring and carefully separate the GOBO from the GOBO Holder.



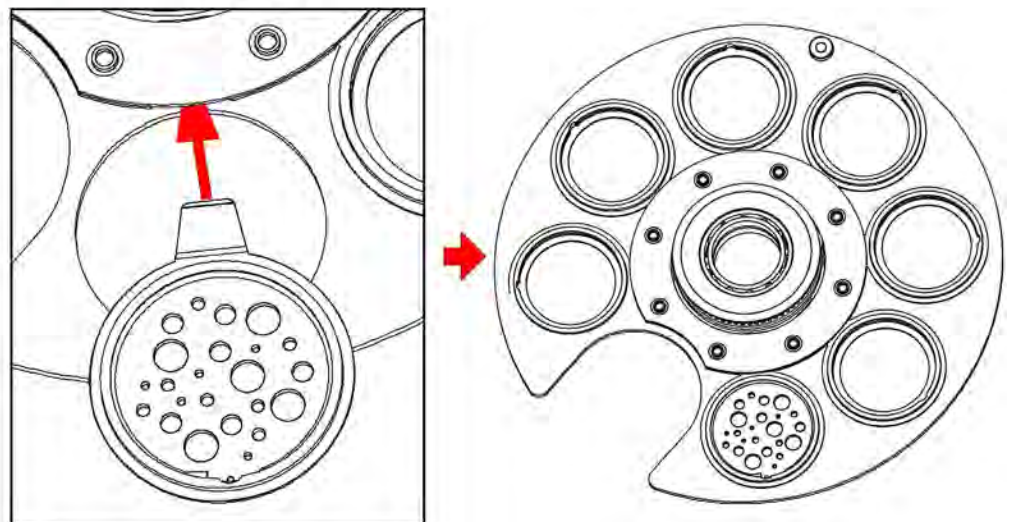
## CAUTION: TAKE CARE NOT TO SCRATCH GOBO OR GOBO HOLDER

To ensure proper Gobo orientation on the Fixed Gobo Wheel, align the orientation indices before installing the Retention Spring. These indices are the notch in the Gobo Holder and the dot on the Gobo itself.



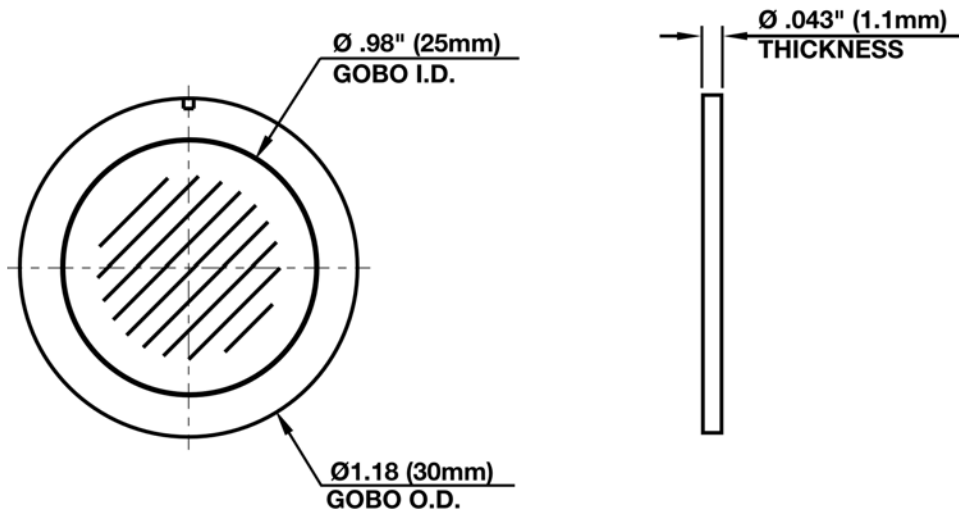
Note that the Gobo Holder does not straddle the Fixed Gobo Wheel in the Gobo Holder Slot. The Retention Tab is on same side as the Gobo Holder.

Install the Gobo Holder Tab into the Gobo Holder Tab Receptacle and press until the Gobo Holder gently springs into the empty Gobo Holder Slot.



# GOBO DIMENSIONS

## Gobos for Rotating Gobo Wheel and Static Gobo Wheel



Please be aware of the intended position and correct sizing requirements of custom gobos.

**\* \* \* IMPORTANT NOTICE REGARDING CUSTOM GOBOS \* \* \***

Due to the high temperature optical system, special glass material is required for custom gobos. Due to varying manufacturing processes and tolerances, it is highly recommended to provide a gobo sample and holder from the fixture to the custom gobo vendor for accurate sizing. Extended testing of custom gobo designs is highly recommended prior to use. Contact ELATION SERVICE for further information.

ELATION SERVICE USA -Monday -Friday 8:00am to 4:30pm PST  
323-582-3322 | Fax 323-832-9142 | support@elationlighting.com

ELATION SERVICE EUROPE -Monday -Friday 08:30 to 17:00 CET  
+31 45 546 85 63 | Fax +31 45 54685 96 | support@elationlighting.eu

# FAN MODES AND LOW NOISE OPERATION

This fixture is a high-performance fixture suited for many applications. For noise critical environments like Theater, Opera or Orchestra Halls, it offers various operation modes to remove any distraction for the audience and performers. Modes can be changed remotely via the DMX control channel, allowing the fixture to offer high output or whisper silent operation at a moment's notice. All modes smoothly transition over a brief period, preventing unwanted attraction to the fixture.

Mode	dbA at 1m LED off	dbA at 1m Dimmer 100%
Ambient Noise Level 31 dbA		
Fan Control - Auto (Default)	39	47
Fan Control - Low	37	42
Fan Control - High	40	55
Low Noise - Mute	31	31
Low Noise - Studio	34	37

## Fan Modes

**Auto** – The default AUTO mode ensures optimal performance of the fixture. Fans only run at the speeds needed to keep the LED engine within a safe temperature range. They will turn off if possible, for example when the fixture is dimmed to a low intensity. Fans sense the ambient and fixture temperature, and will at all times try to keep noise levels at a minimum. The fixture output will only reduce when the LED engine cannot be cooled down to its safe operating range due to high ambient temperature. **Auto is the recommend mode for daily operation of the Fuze Max Spot.**

**Low** – In this mode the fixture reduces fan speeds throughout for a lower noise profile of the fixture. This mode should be sufficient for most uses where lower noise is required. The fixture output is reduced to about 80%.

**High** – This mode is only required in very high ambient temperatures when automatic fan speed adjustments are not desired. High Fan Speed will cool the fixture most efficiently. This mode will increase wear on the fans and should only be utilized in exceptional circumstances. Fans will always run, even if the fixture is dimmed. Fixture output is kept at 100% unless the LED engine temperature is too high, at which point the fixture will reduce power carefully to ensure safe operation.

## Low Noise Modes

For very critical situations, this unit offers two additional low noise modes for silent operation. The fixture output will be reduced, but as the fixture has such an extremely high luminous flux, it still offers outstanding performance. In low noise modes, all parameters of the fixture operate quieter and with reduced speeds.

**Studio** – This mode reduces the fixture output to approximately 50%. Almost all fans inside the fixture are turned off, and only run when absolutely necessary to keep the fixture at 50% LED power.

**Mute** – Running the fixture in MUTE mode reduces the fixture to about 25% output, and all fans are off. The fixture is totally silent.

# HIBERNATION MODE

To reduce wear on the fixture and its components, this mode disables motors and most electronics. Set the hibernation mode countdown time in the Display Menu: "Status Settings / Personality / Hibernation". Hibernation can be fully disabled.

The hibernation mode activates under the following conditions:

1. Loss of DMX: the fixture enters hibernation after the timeout expires. Default is 15 minutes.
2. Remote DMX control: Hold "Hibernate Fixture" for 3s

The hibernation mode deactivates under the following conditions:

1. Connect DMX Signal
2. Remote DMX control: Hold "Hibernate Off" for 3s

The fixture will perform a full calibration cycle, then assume the current DMX status.

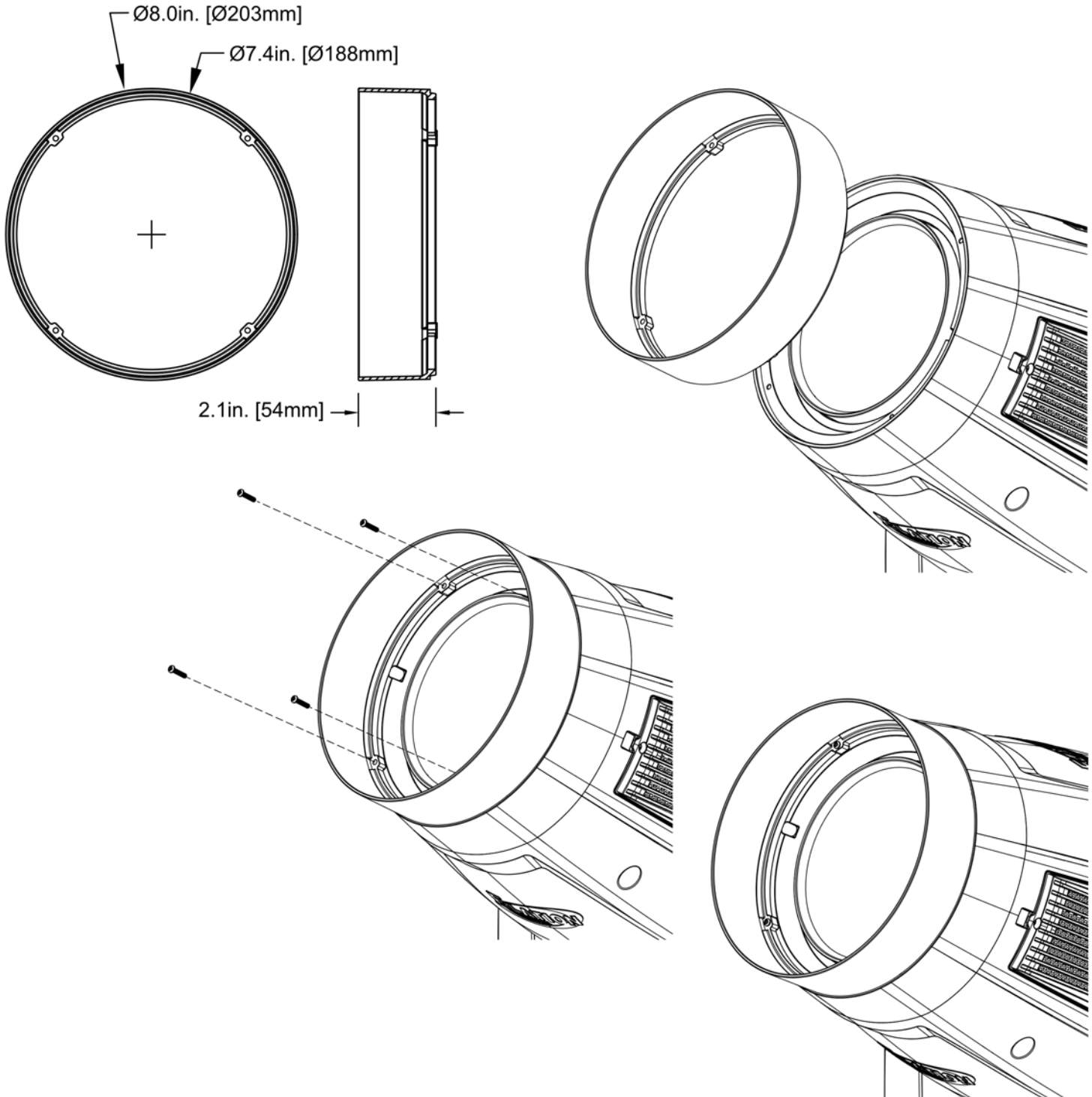
Please note that the Hibernation does not change the PT position of the fixtures, allowing the user to set the desired position and then issue the Hibernate command.

To ensure the fixture is protected from harmful sunrays it is recommended to either leave the "No DMX Status" in "Sun Protection" (so the fixture is already in the correct position after 3 minutes of DMX loss) or set the fixture to a safe Tilt position manually first before hibernation.

**Burn and heat damage to the fixture's interior components due to external light sources (sun or other fixtures shining into the lens) is never covered under the manufacturers warranty.**

# SNOOT INSTALLATION

1. Place fixture on the stable flat surface and let cool for 15mins.
  2. Place snoot onto front lens so snoot screw holes match screw holes on lens.
  3. Carefully, using a hand screwdriver, secure 4 screws (included).
  4. Check Snoot to confirm it is seated properly, and all 4 screws are secure.
- DO NOT OVER TIGHTEN SCREWS! DO NOT USE A POWER SCREWDRIVER!**



# INSTALLATION GUIDELINES



## **FLAMMABLE MATERIAL WARNING**

Keep fixture minimum 5.0 feet (1.5m) away from flammable materials and/or pyrotechnics.



## **ELECTRICAL CONNECTIONS**

A qualified electrician should be used for all electrical connections and/or installations.



**USE CAUTION WHEN POWER LINKING OTHER MODEL FIXTURES AS THE POWER CONSUMPTION OF OTHER MODEL FIXTURES MAY EXCEED THE MAX POWER OUTPUT ON THIS FIXTURE. CHECK SILK SCREEN FOR MAX AMPS.**



**MINIMUM DISTANCE TO OBJECTS/SURFACES  
MUST BE 1.6 FOOT (0.5 METERS)**



**MINIMUM DISTANCE OF INFLAMMABLE MATERIALS  
FROM THE SURFACE 1.6 FEET (0.5 METER)**



**MAXIMUM AMBIENT TEMPERATURE 194° F (90°C)**



**DO NOT INSTALL THE FIXTURE IF YOU ARE NOT QUALIFIED TO DO SO!**

Fixture **MUST** be installed following all local, national, and country commercial electrical and construction codes and regulations.

Before rigging/mounting the fixture to any metal truss/structure or placing the fixture on any surface, a professional equipment installer **MUST** be consulted to determine if the metal truss/structure or surface is properly certified to safely hold the combined weight of the fixture, clamps, cables, and accessories.

Overhead rigging requires extensive experience, including, amongst others, calculating working load limits, installation material being used, and periodic safety inspection of all installation material and the fixture. If you lack these qualifications, do not attempt the installation yourself. Improper installation can result in bodily injury.

Fixture ambient operating temperature range is **14° to 113°F. (-10° to 45°C)**

Do not use the fixture under or above this temperature.

Fixture should be installed in areas outside walking paths, seating areas, or away from areas where unauthorized personnel might reach the fixture by hand.

**NEVER** stand directly below the fixture when rigging, removing or servicing.

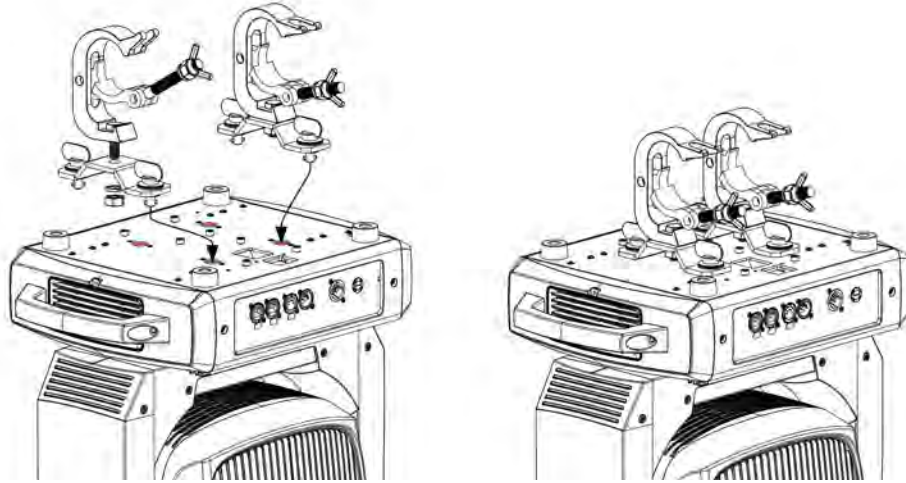
Overhead fixture installation must always be secured with a secondary safety attachment, such as an appropriately rated safety cable.

Allow approximately 10 minutes for the fixture to cool down before serving.

# INSTALLATION GUIDELINES

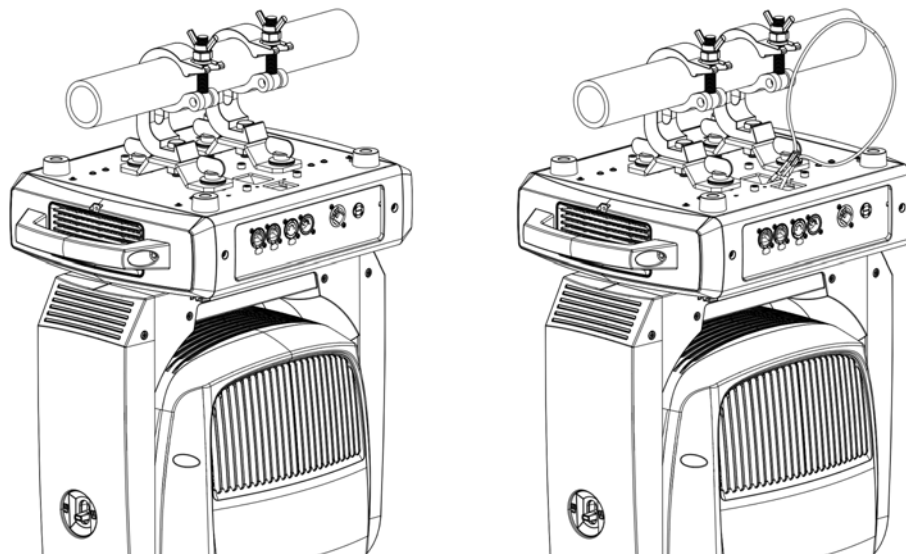
## OMEGA BRACKETS WITH CLAMP INSTALLATION

When mounting the fixture to a truss, be sure to secure an appropriately rated professional grade rigging clamp to the included **Omega Brackets** using an M10 screw fitted through the center hole of the **Omega Brackets**. Insert the Omega Brackets into the matching holes on the bottom of the fixture. Secure the Omega Brackets to the fixture by turning each quick-lock fastener ¼ turn clockwise; making sure the fastener is completely locked. Omega Brackets can be inserted into the fixture base as illustrated below.



### \*SAFETY CABLE\*

**ALWAYS ATTACH AN APPROPRIATELY RATED SAFETY CABLE WHENEVER INSTALLING THIS FIXTURE IN A SUSPENDED ENVIRONMENT TO ENSURE THE FIXTURE WILL NOT FALL IF THE CLAMP FAILS.**



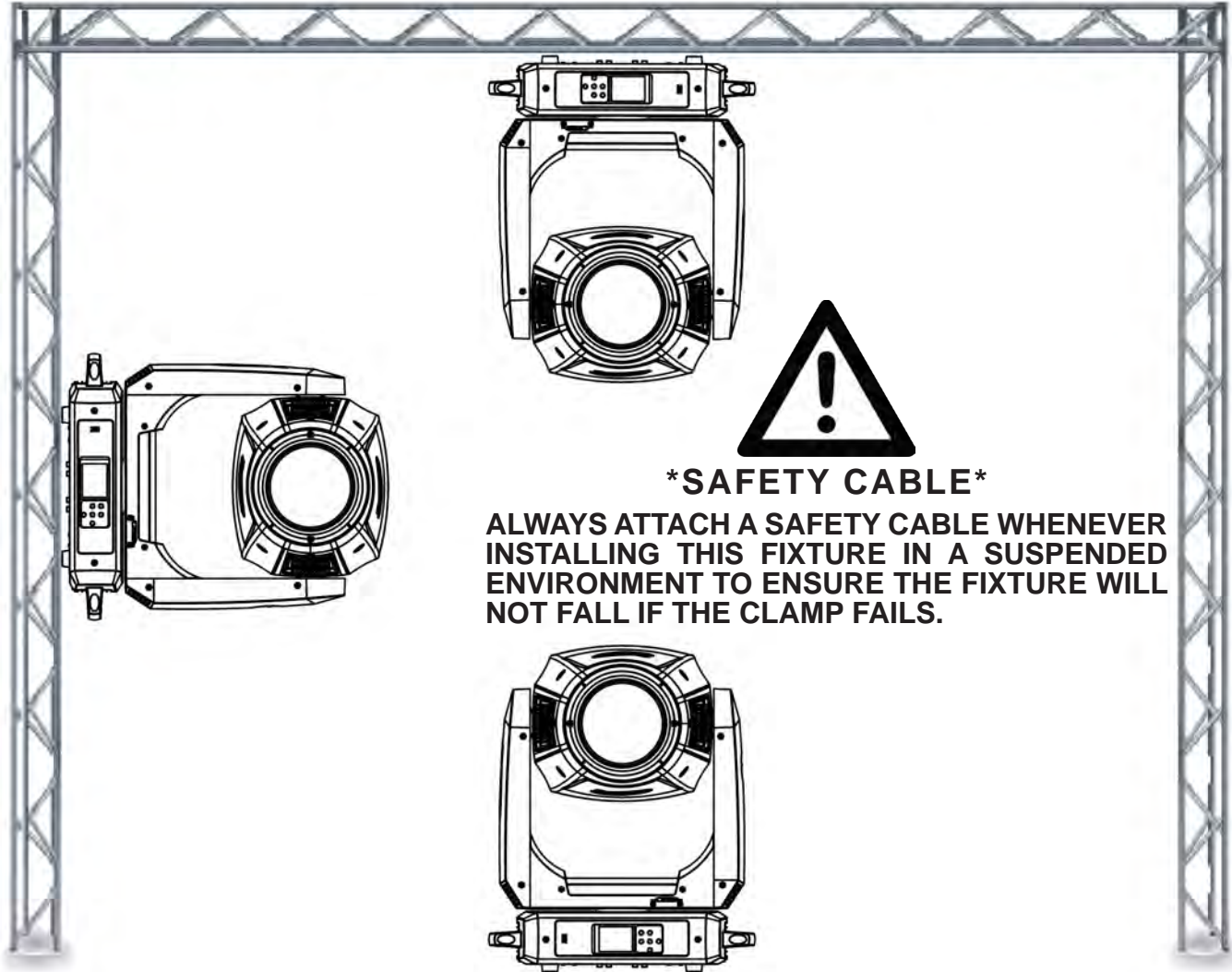
## RIGGING

Overhead rigging requires extensive experience, including among others, calculating working load limits, installation material being used, and periodic safety inspection of all installation material and the fixture. If you lack these qualifications, do not attempt the installation yourself. Improper installation can result in bodily injury. The fixture provides a built-in rigging point for a **SAFETY CABLE** (not included). Be sure to only use one of the designated rigging point for the safety cable and never secure a safety cable to a carrying handle. Connect the safety cable to the attachment point and route it around the truss.

# INSTALLATION GUIDELINES

## FIXTURE INSTALLATION

The Elation Fuze Max Spot is fully operational in three different mounting positions, hanging upside-down, mounted sideways on trussing, or set on a flat level surface. Be sure this fixture is kept at least 0.2m (7.9in.) away from any flammable materials (decoration etc.). Always use and install the supplied safety cable as a safety measure to prevent accidental damage and/or injury in the event the clamp fails. Never use the carrying handles for secondary attachment.



## ART-NET | sACN CONNECTION

When connecting fixture to a network switch to control multiple devices, a **Gigabit Ethernet Switch** that supports **IGMP (Internet Group Management Protocol)** is required. Using a **Gigabit Ethernet Switch** that does not support **IGMP** can cause erratic behavior of all connected devices to the switch. Click link below for more information about IGMP.

[https://en.wikipedia.org/wiki/Internet\\_Group\\_Management\\_Protocol](https://en.wikipedia.org/wiki/Internet_Group_Management_Protocol)

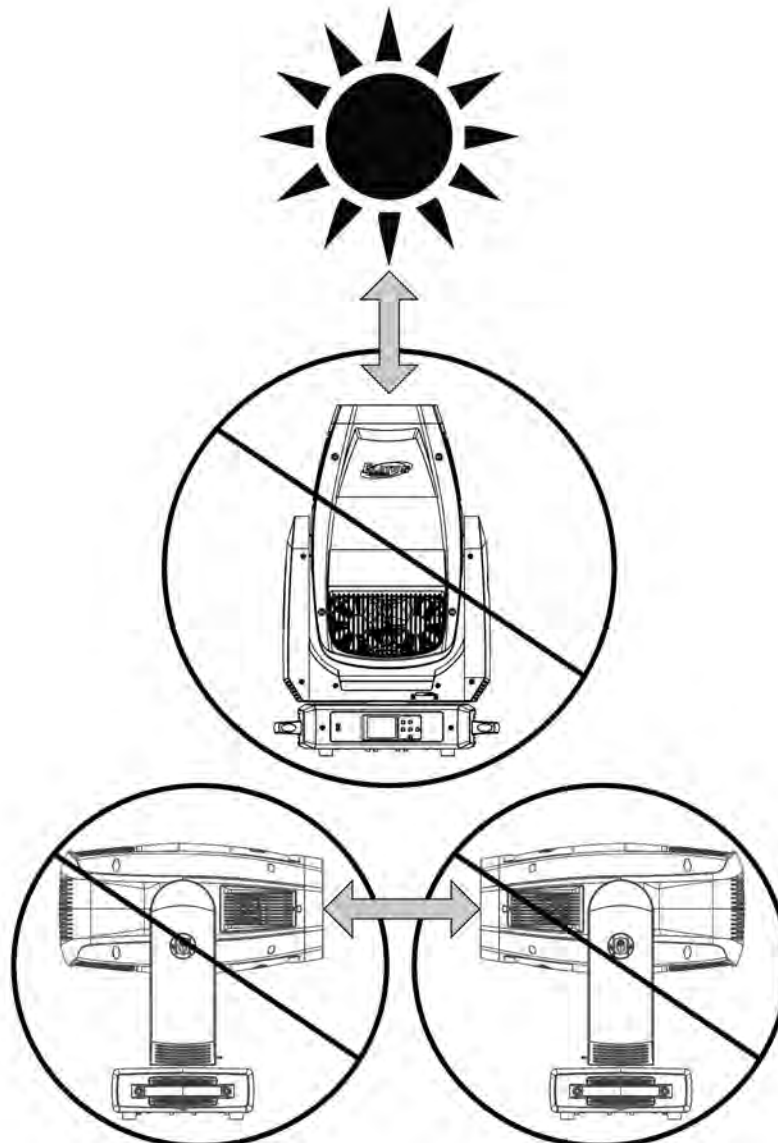
# INSTALLATION GUIDELINES

## POTENTIAL INTERNAL FIXTURE DAMAGE FROM EXTERNAL SOURCES OF LIGHT BEAMS

External sources of light beams from direct sunlight, lighting moving head fixtures, and lasers, which are focused directly towards the exterior housing and/or penetrate the front lens opening of ELATION lighting fixtures, can cause severe internal damage including burning to optics, dichroic color filters, glass and metal gobos, prisms, animation wheels, frost filters, iris, shutters, motors, belts, wiring, discharge lamps, and LEDs.

This issue is not specific only to ELATION lighting fixtures, it is a common issue with lighting fixtures from all manufacturers. Although there is no true way to fully prevent this issue from happening, the guidelines below can prevent any potential damage from occurring if followed. Contact ELATION Service for more details.

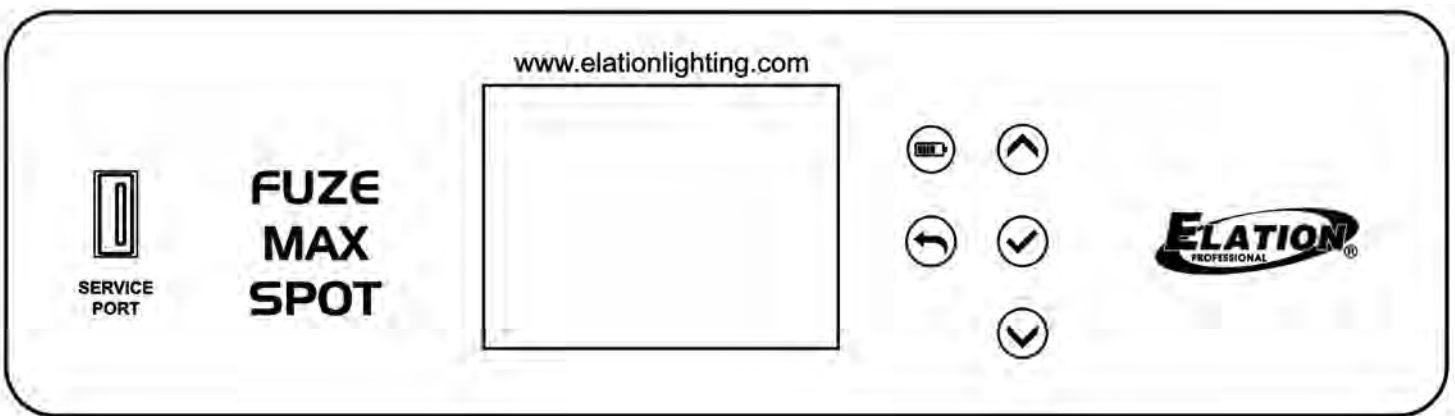
**DO NOT EXPOSE THE FIXTURE AND/OR FRONT LENS OPENING TO LIGHT BEAMS FROM DIRECT SUNLIGHT, OTHER LIGHTING MOVING HEAD FIXTURES, AND LASERS WHILE UNPACKING, INSTALLATION, USE, AND EXTENDED IDLE TIMES OUTDOORS. DO NOT FOCUS A LIGHT BEAM FROM ONE LIGHTING FIXTURE DIRECTLY TOWARDS ANOTHER.**



# SYSTEM MENU

The fixture includes an easy to navigate system menu. The control panel (see image below) located on the front of the fixture, provides access to the main system menu and is where all necessary system adjustments are made to the fixture. During normal operation, pressing **MODE/ESC** button once will access the fixture's main menu. Once in the main menu you can navigate through the different functions and access the sub-menus with the **UP, DOWN, RIGHT,** and **LEFT** buttons. Once you reach a field that requires adjusting, press the **ENTER** button to activate that field and use the **UP** and **DOWN** buttons to adjust the field. Pressing the **ENTER** button once more will confirm your setting. You may exit the main menu at any time without making any adjustments by pressing the **MODE/ESC** button.

**NOTE:** To access the LCD Menu Control Display via the internal battery, press and hold the **MODE/ESC** button for 10 seconds. The LCD Menu Control Display will shut **OFF** automatically about 1 minute from the last button press.



A USB FLASH DRIVE CAN BE USED TO UPDATE THE FIXTURE TO THE LATEST SOFTWARE. Using a USB Flash Drive loaded with the latest software, insert it into the USB Service Port, then navigate to PERSONALITY/SERVICE, enter the passcode (050), and select UPDATE SOFTWARE. A copy of the latest software can be obtained by contacting Elation Support.



AN ELATION C-LOADER II CAN ALSO BE USED TO UPDATE THE FIXTURE TO THE LATEST SOFTWARE. To order this device, please contact Elation Support for further details.

**ELATION SERVICE USA - Monday - Friday 8:00am to 4:30pm PST**  
323-582-3322 | Fax 323-832-9142 | support@elationlighting.com

**ELATION SERVICE EUROPE - Monday - Friday 08:30 to 17:00 CET**  
+31 45 546 85 63 | Fax +31 45 546 85 96 | support@elationlighting.eu

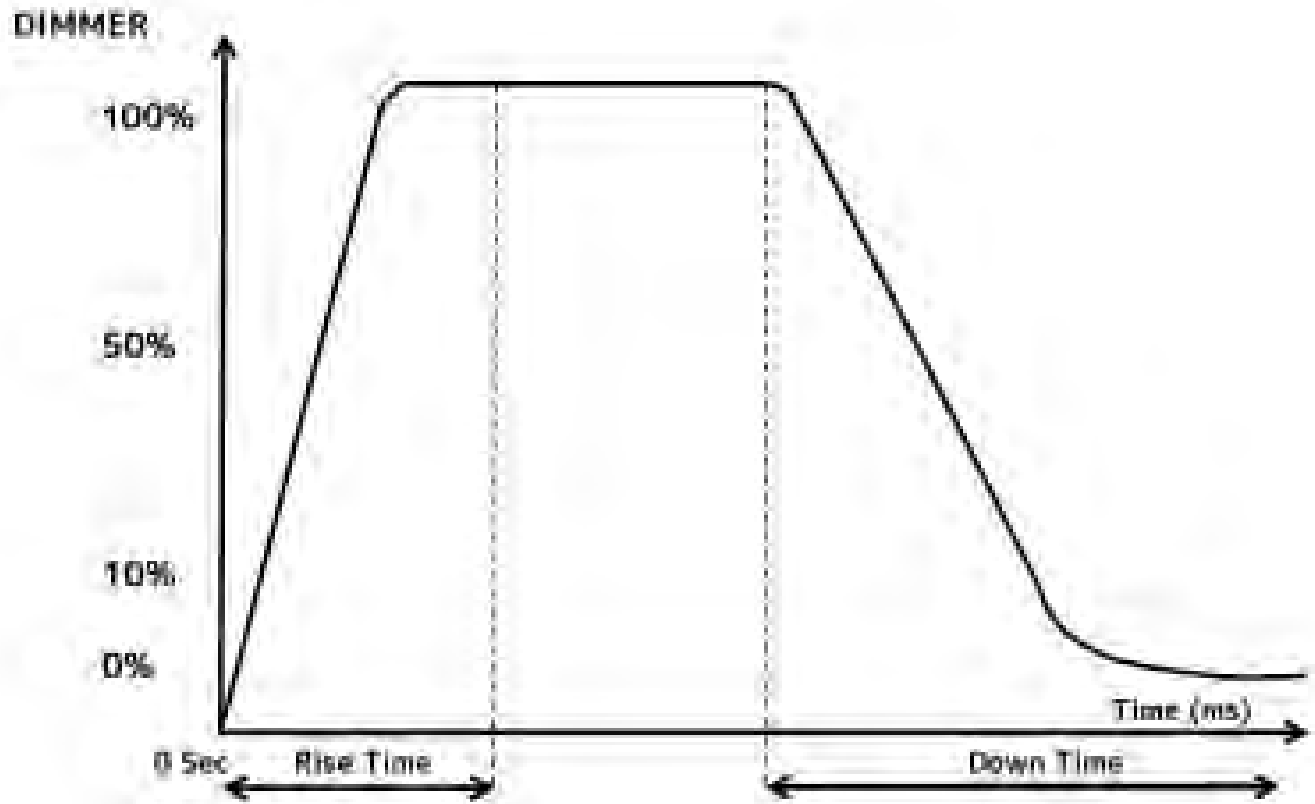
# SYSTEM MENU

ELATION FUZE MAX SPOT				
Supports Software Versions: ≥ 1.0.0				
MAIN MENU	OPTIONS / VALUES (Default Settings in <b>BOLD</b> )		DESCRIPTION	
<b>DMX SETTINGS</b>	Dmx Presets	<b>A001~AXXX</b>		
	DMX Channel Mode	<b>Standard</b> , Extend, CMY , CMY Extend		
	No DMX Status	<b>Hold Last</b> , Blackout, Internal Program		
<b>Personality</b>	Primary	<b>ON/OFF</b>		
	Secondary	<b>ON/OFF</b>		
	Status	Pan Invert	<b>ON/OFF</b>	
		Tilt Invert	<b>ON/OFF</b>	
		Pan/Tilt Feedback	<b>ON/OFF</b>	
		Pan Degree	<b>630/540</b>	
		Pan/TiltSpeed	<b>Speed 1~ 4</b>	
		Hibernation	<b>OFF</b> , 01M~99M, 15M	
		Follow Spot Mode	<b>ON/OFF</b>	
	Fixture ID	Service PIN	Password=xxx	
		Universe	000	
		Unit IP Addr	2.XXX.XXX.2	
		Mask Addr	255.XXX.XXX.XXX	
	ProtocolSet	<b>Artnet/sACN</b>		
	KlingNet	Off/ <b>On</b>		
	Net Switch	Off/ <b>On</b>		
	Fan Settings	<b>Auto</b> , High, Low, Studio		
	Dim Mode	Standard, Stage, TV, Architectural, Theatre, Stage 2		
		Dim Speed	05~10S	
	Dim Curves	<b>Linear</b> , Square, Square Inverse, S-Curve		
	LED Refresh Rate	900, 1000, 1100, <b>1200</b> , 1300, 1400, 1500, 2500, 4000, 5000, 10K, 15K, 20K, & 25K		
	Reset Motors	Pan/Tilt Reset	YES/ <b>NO</b>	
		Color Reset	YES/ <b>NO</b>	
		Gobo Reset	YES/ <b>NO</b>	
		Focus and Zoom reset	YES/ <b>NO</b>	
		Other motor reset	YES/ <b>NO</b>	
	Display	Screen Saver Delay	<b>01M~10M</b> /OFF	
		Touch Screen Lock	<b>OFF/ON</b>	
Rotate Display 180°		YES/ <b>NO</b>		
Temp Unit	<b>C/F</b>			
Service	Passcode	Effect Adjust (Calibration)	Pan 000-255 Tilt 000-255 Color 000-255 ... Shutter000-255	
		USB Software Update	YES / <b>NO</b>	
		Factory Restore	YES / <b>NO</b>	
		Pan	000-255	
		Tilt	000-255	
<b>Manual Control</b>	Red	000-255		
	Green	000-255		
	Blue	000-255		
	Mint	000-255		
	Amber	000-255		
	...	...		
	Color	000-255		
	Control	000-255		

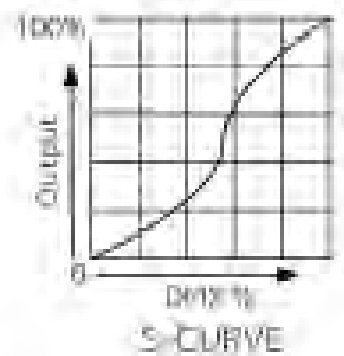
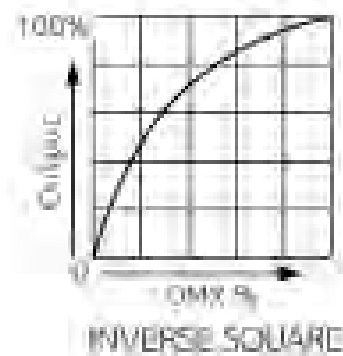
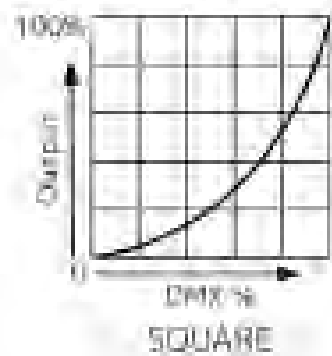
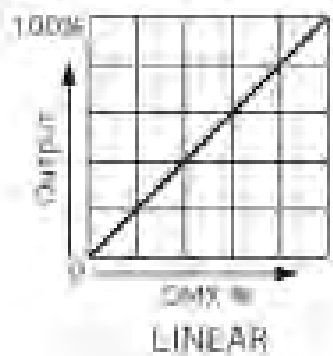
# SYSTEM MENU

ELATION FUZE MAX SPOT				
Supports Software Versions: ≥ 1.0.0				
MAIN MENU	OPTIONS / VALUES (Default Settings in <b>BOLD</b> )		DESCRIPTION	
Internal Programs	Program 0	Speed	000-255	
		Fade	000-255	
	Program 1	Speed	000-255	
		Fade	000-255	
	Program 2	Speed	000-255	
		Fade	000-255	
	Program 3	Speed	000-255	
		Fade	000-255	
	...	...	...	
	Program 16	Speed	000-255	
Fade		000-255		
Information	Fixture Life Time	Power On Time	xxxxxx Hours	
	Fixture Last Run Time	Power On Resettable Time	xxxxxx Hours	
		Power On Time Reset	Passcode	<b>YES/NO</b>
	Fixture Temperatures	LEDs	Current	xxx °F/xxx °C
			Max Resettable	xxx °F/xxx °C
			Max Not Resettable	xxx °F/xxx °C
		Reset LED Temp	Passcode	<b>YES/NO</b>
	Fan Info.	LED Fan RPM	1_fan xxxx	
			2_fan xxxx	
			3_fan xxxx	
			4_fan xxxx	
		Base Fan RPM	Base_fan xxxx	
	DMX Values	Pan		
		Tilt		
		...		
		Zoom		
	Product IDs	RDM UID		
	Error Logs	Fixture Errors	List Errors one by one	
		Reset Error Log	Passcode	<b>YES/NO</b>
	Software Version	1U:V1.0.1C 2U:V1.0.1C 3U:V1.0.1C 4U:V1.0.1C 5U:V1.0.1C 6U:V1.0.1C 7U:V1.0.1C		

# DIMMER MODE



Dimming Curve Ramp Effect	0 sec Fade Time		1 sec Fade Time	
	Rise Time (ms)	Down Time (ms)	Rise Time (ms)	Down Time (ms)
Standard (default)	0	0	0	0
Stage	780	1100	1540	1660
TV	1180	1520	1860	1940
Architectural	1380	1730	2040	2120
Theatre	1580	1940	2230	2280
Stage 2	0	1100	0	1660



# DMX TRAITS: CHANNEL FUNCTIONS & VALUES

ELATION FUZE MAX SPOT						
Supports Software Versions: $\geq 1.0.0$						
Features subject to change without notice						
MODE/CHANNEL				VALUE	FUNCTION	DEFAULT
STANDARD	EXTENDED	CMY	CMY EXTENDED			
1	1	1	1		<b>PAN Movement 8bit:</b>	0
				0-255	Pan Movement	
2	2	2	2		<b>Pan Fine 16bit:</b>	0
				0-255	Fine control of Pan movement	
3	3	3	3		<b>TILT Movement 8bit:</b>	0
				0-255	Tilt Movement	
4	4	4	4		<b>Tilt Fine 16bit:</b>	0
				0-255	Fine control of Tilt movement	
		5	5		<b>Cyan:</b>	0
				0-255	Cyan (0-100% Cyan)	
			6		<b>Cyan Fine:</b>	0
				0-255	Cyan Fine	
		6	7		<b>Magenta:</b>	0
				0-255	Magenta (0-100% Magenta)	
			8		<b>Magenta Fine:</b>	0
				0-255	Magenta Fine	
		7	9		<b>Yellow:</b>	0
				0-255	Yellow (0-100% Yellow)	
			10		<b>Yellow Fine:</b>	0
				0-255	Yellow Fine	
5	5				<b>Red:</b>	0
				0-255	Red (0-100% Red)	
	6				<b>Red Fine:</b>	0
		0-255	Red Fine			
6	7				<b>Green:</b>	0
				0-255	Green (0-100% Green)	
	8				<b>Green Fine:</b>	0
		0-255	Green Fine			
7	9				<b>Blue:</b>	0
				0-255	Blue (0-100% Blue)	
	10				<b>Blue Fine:</b>	0
		0-255	Blue Fine			
8	11				<b>Mint:</b>	0
				0-255	Mint (0-100% Mint)	
	12				<b>Mint Fine:</b>	0
		0-255	Mint Fine			
9	13				<b>Amber:</b>	0
				0-255	Amber (0-100% Amber)	
	14				<b>Amber Fine:</b>	0
		0-255	Amber Fine			
10	15	8	11		<b>CTC:</b>	
				0-23	Open	
				24 -85	CTC 2400K - 8500K (see separate sheet)	
				86-255	8500K	

ELATION FUZE MAX SPOT						
Supports Software Versions: ≥ 1.0.0						
Features subject to change without notice						
MODE/CHANNEL				VALUE	FUNCTION	DEFAULT
STANDARD	EXTENDED	CMY	CMY EXTENDED			
11	16	9	12		<b>Color Wheel:</b>	
				0	Open	
				1-60	Virtual Swatch Book (see separate sheet)	
				61-179	Open	
					<b>Color Scroll</b>	
				180-201	CW,fast →slow	
				202-207	Stop	
				208-229	CCW,slow → fast	
				230-234	Open	
					<b>Random Slots</b>	
				235-239	Fast	
				240-244	Medium	
				245-249	Slow	
250-255	Open					
	17		13		<b>Green Shift:</b>	
				0	Idle	
				1-127	Full Minus Green to Neutral	
				128	Neutral White	
12	18	10	14		<b>CTC Crossfade:</b>	
				0	CTC	
				255	Color Mix	
13	19	11	15		<b>Rotating gobos, cont. rotation</b>	
				0-9	Open	
				10-19	Rot. gobo 1	
				20-29	Rot. gobo 2	
				30-39	Rot. gobo 3	
				40-49	Rot. gobo 4	
				50-59	Rot. gobo 5	
				60-69	Rot. gobo 6	
				70-89	Gobo 1 shake slow to fast	
				90-109	Gobo 2 shake slow to fast	
				110-129	Gobo 3 shake slow to fast	
				130-149	Gobo 4 shake slow to fast	
				150-169	Gobo 5 shake slow to fast	
				170-189	Gobo 6 shake slow to fast	
				190-221	Scroll CW fast to slow	
222-223	Stop					
224-255	Scroll CCW slow to fast					
14	20	12	16		<b>Rotating gobo index, rotating gobo rotation</b>	
				0-127	GoboRot indexing	
				128-189	CW Gobo scroll from fast to slow	
				190-193	Stop	
194-255	CCW Gobo scroll from slow to fast					
15	21	13	17		<b>Rotating gobo fine indexing:</b>	
				0-255	Fine indexing	

ELATION FUZE MAX SPOT						
Supports Software Versions: ≥ 1.0.0						
Features subject to change without notice						
MODE/CHANNEL				VALUE	FUNCTION	DEFAULT
STANDARD	EXTENDED	CMY	CMY EXTENDED			
16	22	14	18		<b>Rotating Gobo 2</b>	
				0-9	Open	
				10-19	Rot. gobo 1	
				20-29	Rot. gobo 2	
				30-39	Rot. gobo 3	
				40-49	Rot. gobo 4	
				50-59	Rot. gobo 5	
				60-69	Rot. gobo 6	
				70-89	Gobo 1 shake slow to fast	
				90-109	Gobo 2 shake slow to fast	
				110-129	Gobo 3 shake slow to fast	
				130-149	Gobo 4 shake slow to fast	
				150-169	Gobo 5 shake slow to fast	
				170-189	Gobo 6 shake slow to fast	
				190-221	Scroll CW fast to slow	
222-223	Stop					
224-255	Scroll CCW slow to fast					
17	23	15	19		<b>Rotating Gobo 2 Index, Rotation</b>	
				0-127	Gobo indexing	
				128-189	CW Gobo scroll from fast to slow	
				190-193	No rotation	
194-255	CCW Gobo scroll from slow to fast					
18	24	16	20		<b>Rotating gobo 2 fine indexing:</b>	
				0-255	Fine indexing	
19	25	17	21		<b>Fixed Gobo Wheel</b>	
				0-9	Open	
				10-19	Gobo 1	
				20-29	Gobo 2	
				30-39	Gobo 3	
				40-49	Gobo 4	
				50-59	Gobo 5	
				60-69	Gobo 6	
				70-77	Gobo 7	
				78-93	Gobo 1 shake slow to fast	
				94-109	Gobo 2 shake slow to fast	
				110-125	Gobo 3 shake slow to fast	
				126-141	Gobo 4 shake slow to fast	
				142-157	Gobo 5 shake slow to fast	
				158-173	Gobo 6 shake slow to fast	
174-189	Gobo 7 shake slow to fast					
190-221	CW Gobo scroll from fast to slow					
222-223	No rotation					
224-255	CCW Gobo scroll from slow to fast					
20	26	18	22		<b>Prism:</b>	
				0-6	Open	
				7-130	4 Facet Linear	
				131-255	4 Facet	

ELATION FUZE MAX SPOT						
Supports Software Versions: ≥ 1.0.0						
Features subject to change without notice						
MODE/CHANNEL				VALUE	FUNCTION	DEFAULT
STANDARD	EXTENDED	CMY	CMY EXTENDED			
21	27	19	23		<b>Rotating prism1/2 index, rotating prism 1/2 rotation:</b>	
				0-127	Prism1/2 indexing	
				128-189	Forwards prism1/2 rotation from slow to fast	
				190-193	Stop	
				194-255	Backwards prism1/2 rotation from fast to slow	
	28		24		<b>Rotating prism indexing Fine:</b>	
		0-255		Fine indexing		
22	29	20	25		<b>Focus</b>	
				0-255	Continuous adjustment from far to near	
23	30	21	26		<b>Focus Fine</b>	
				0-255	Fine focusing	
24	31	22	27		<b>Zoom:</b>	
				0-255	Zoom adjustment from small to big	
25	32	23	28		<b>Zoom Fine</b>	
				0-255	Fine zooming	
26	33	24	29		<b>Shutter, strobe:</b>	
				0-31	Shutter closed	
				32-63	No function (shutter open)	
				64-95	Strobe effect slow to fast	
				96-127	No function (shutter open)	
				128-159	Pulse-effect in sequences	
				160-191	No function (shutter open)	
				192-223	Random strobe effect slow to fast	
224-255	No function (shutter open)					
27	34	25	30		<b>Dimmer:</b>	
				0-255	Intensity 0 to 100%	
28	35	26	31		<b>Dimmer Fine:</b>	
				0-255	Dimmer fine	

ELATION FUZE MAX SPOT						
Supports Software Versions: $\geq 1.0.0$						
Features subject to change without notice						
MODE/CHANNEL				VALUE	FUNCTION	DEFAULT
STANDARD	EXTENDED	CMY	CMY EXTENDED			
					<b>Dim Modes</b>	
				0-20	Standard	
				21-40	Stage	
				41-60	TV	
				61-80	Architectural	
				81-100	Theatre	
				101-120	Stage 2	
					<b>Dimmer Delay Time</b>	
				121	0s	
				122	0.1s	
				123	0.2s	
				124	0.3s	
				125	0.4s	
				126	0.5s	
	36		32	127	0.6s	
				128	0.7s	
				129	0.8s	
				130	0.9s	
				131	1.0s	
				132	1.5s	
				133	2.0s	
				134	3.0s	
				135	4.0s	
				136	5.0s	
				137	6.0s	
				138	7.0s	
				139	8.0s	
				140	9.0s	
				141	10s	
				142-255	Idle	
					<b>Iris:</b>	
29	37	27	33	0-191	Max. diameter to Min. diameter	
				192-223	Pulse opening fast to slow	
				224-255	Pulse closing slow to fast	
					<b>Iris-fine</b>	
	38		34	0-255	Fine iris movement	
					<b>Frost1:</b>	
30	39	28	35	0-255	Frost:0 – 100%(Linear)	
					<b>Frost2:</b>	
31	40	29	36	0-255	Frost:0 – 100%(Linear)	
					<b>Animation wheel:</b>	
32	41	30	37	0-7	Open	
				8-255	Animation min to max	
					<b>Animation index,animation rotation:</b>	
				0-127	Animation indexing	
33	42	31	38	128-189	CW animation rotation fast to slow	
				190-193	No rotation	
				194-255	CCW animation rotation slow to fast	
					<b>Pan / Tilt and Color Speed:</b>	
				0-225	Max to min speed	
	43		39	226-235	Blackout by movement	
				236-245	Blackout by all wheel changing	
				246-255	No function	

**ELATION FUZE MAX SPOT**

**Supports Software Versions: ≥ 1.0.0**

Features subject to change without notice

MODE/CHANNEL				VALUE	FUNCTION	DEFAULT
STANDARD	EXTENDED	CMY	CMY EXTENDED			
34	44	32	40		<b>Control:</b>	
				0-19	Color change normal	
				20-29	Color change to any position	
				30-39	Color & gobo change to any position	
				40-44	Fan Mode Studio	
				45-49	Fan Mode Mute	
				50-59	Fan Mode Low	
				60-69	Fan Mode High	
				70-79	Fan Mode Auto	
				80-84	All motor reset	
				85-87	Pan/Tilt reset	
				88-90	Gobo reset	
				91-93	Focus and Zoom reset	
				94-96	Other motor reset	
				97-99	Idle	
				100-168	<b>Refresh Rate (Hz)</b>	
				100	900	
				101	910	
				102	920	
				103	930	
				104	940	
				105	950	
				106	960	
				107	970	
				108	980	
				109	990	
				110	1000	
				111	1010	
				112	1020	
				113	1030	
				114	1040	
				115	1050	
				116	1060	
				117	1070	
				118	1080	
				119	1090	
120	1100					
121	1110					
122	1120					
123	1130					
124	1140					
125	1150					
126	1160					
127	1170					
128	1180					
129	1190					
130	1200					
131	1210					
132	1220					
133	1230					
134	1240					
135	1250					
136	1260					

**ELATION FUZE MAX SPOT**

**Supports Software Versions: ≥ 1.0.0**

Features subject to change without notice

MODE/CHANNEL				VALUE	FUNCTION	DEFAULT
STANDARD	EXTENDED	CMY	CMY EXTENDED			
34	44	32	40	137	1270	
				138	1280	
				139	1290	
				140	1300	
				141	1310	
				142	1320	
				143	1330	
				144	1340	
				145	1350	
				146	1360	
				147	1370	
				148	1380	
				149	1390	
				150	1400	
				151	1410	
				152	1420	
				153	1430	
				154	1440	
				155	1450	
				156	1460	
				157	1470	
				158	1480	
				159	1490	
				160	1500	
				161	2500	
				162	4000	
				163	5000	
				164	6000	
				165	10000	
				166	15000	
				167	20000	
				168	25000	
				169-190	Idle	
				191-195	Hibernation OFF	
				196-200	Hibernation ON	
				201-210	Dimmer Curve Linear (default)	
				211-220	Dimmer Curve Square	
				221-230	Dimmer Curve Inverse Square	
				231-240	Dimmer Curve S-Curve	
				241	Internal program 1 (Scene 1-8)	
				242	Internal program 2 (Scene 9-16)	
				243	Internal program 3 (Scene 17-24)	
				244	Internal program 4 (Scene 25-32)	
				245	Internal program 5 (Scene 33-40)	
				246	Internal program 6 (Scene 41-48)	
				247	Internal program 7 (Scene 49-56)	
				248-255	Idle	

# CCT TABLE

<b>DMX VALUE</b>	<b>COLOR TEMPERATURE (K)</b>	<b>DMX VALUE</b>	<b>COLOR TEMPERATURE (K)</b>
024	2400	055	5500
025	2500	056	5600
026	2600	057	5700
027	2700	058	5800
028	2800	059	5900
029	2900	060	6000
030	3000	061	6100
031	3100	062	6200
032	3200	063	6300
033	3300	064	6400
034	3400	065	6500
035	3500	066	6600
036	3600	067	6700
037	3700	068	6800
038	3800	069	6900
039	3900	070	7000
040	4000	071	7100
041	4100	072	7200
042	4200	073	7300
043	4300	074	7400
044	4400	075	7500
045	4500	076	7600
046	4600	077	7700
047	4700	078	7800
048	4800	079	7900
049	4900	080	8000
050	5000	081	8100
051	5100	082	8200
052	5200	083	8300
053	5300	084	8400
054	5400	085	8500

# REMOTE DEVICE MANAGEMENT (RDM)

**NOTE: In order for RDM to work properly, RDM enabled equipment must be used throughout the entire system, including DMX data splitters and wireless systems.**

Remote Device Management (RDM) is a protocol that sits on top of the DMX512 data standard for lighting, allowing the DMX systems of the device to be managed, modified, and monitored remotely (hence, remote device management). This protocol is ideal for fixtures installed in locations that are not easily accessible.

With RDM, the DMX512 system becomes bi-directional, allowing a compatible RDM enabled controller to send out a signal to devices on the wire, as well as allowing the fixture to respond (known as a GET command). The controller can then use it's SET command to modify settings that would typically have to be changed or viewed directly via the unit's display screen, including the DMX Address, DMX Channel Mode, and Temperature Sensors.

## FIXTURE RDM INFORMATION:

RDM Code	Device ID	Device Model ID	Personality ID
22A6	0000-FFFF	5425	Standard Extend CMY Standard CMY Extend

**Please be aware that not all RDM devices support all RDM features,** and therefore it is important to check beforehand to ensure that the equipment that you are considering includes all of the features that you require.

The following parameters are accessible in RDM on this device:

[0x0011] Proxied Device Count	[0x0600] Pan Invert
[0x0200] Sensor Definition	[0x0601] Tilt Invert
[0x0201] Sensor Value	[0x0602] Pan Tilt Swap
[0x0080] Device Model Description	[0x0500] Display Invert
[0x0081] Manufacturer Label	[0x0501] Display Level
[0x0082] Device Label	[0x0603] Realtime Clock
[0x00E0] DMX Personality	[0x1010] Power State
[0x00E1] DMX Personality Description	[0x1031] Preset Playback
[0x0400] Device Hours	[0x0122] Default Slot Value
[0x0015] Comms Status	[0x00B0] Language
[0x0031] Status ID Description	[0x00A0] Language Capabilities
[0x0032] Clear Status ID	[0x00C2] Boot Software Version Label
[0x0401] Lamp Hours	[0x00C1] Boot Software Version ID
[0x0402] Lamp Strikes	[0x0070] Product Detail ID List
[0x0403] Lamp State	[0x0030] Status Messages
[0x0404] Lamp Mode	[0x1001] Reset Device
[0x0405] Device Power Cycles	[0x0016] Undefined PID [0x0016,(22)]

# ERROR CODES

Error Codes subject to change without notice	
ERROR CODES	DESCRIPTION
PAN	PAN Error
TILT	TILT Error
Gobo1	Gobo 1 Error
Gobo1 Rot	Gobo 1 Rot Error
Gobo2	Gobo2 Error
Gobo2 Rot	Gobo 2 Rotation Error
Fixed Gobo	Fixed Gobo Error
Zoom	Zoom Error
Focus	Focus Error
Prism1	Prism 1 Error
Prism1 Rot	Prism 1 Rotation Error
Prism2	Prism 2 Error
Prism2 Rot	Prism 2 Rotation Error
Animation	Animation Error
Animation Rot	Animation Rotation Error
Iris	Iris Error
LED Temp	LED Temperature Error
Base Temp	Base Temperature Error
Cool Fan1	Cool Fan 1 Error
Cool Fan2	Cool Fan 2 Error
Cool Fan3	Cool Fan 3Error
Cool Fan4	Cool Fan 4 Error
Cool Fan5	Cool Fan 5 Error
Cool Fan6	Cool Fan 6 Error
Gobo Fan	Gobo Fan Error
Base Fan	Base Fan Error

# SPECIFICATIONS

## SOURCE

800W 6,500K RGBMA LED Engine  
30,000 Hour Average LED Life\*

\*Test lab conditions. May vary depending on several factors including but not limited to: Environmental Conditions, Power/Voltage, Usage Patterns (On-Off Cycling), Control, and Dimming.

## PHOTOMETRIC DATA

21,000 Total Lumen Output  
CRI 92  
Zoom Range 7° - 53°  
Beam Angle 6.6° - 50.3°  
Field Angle 7.8° - 55°

## EFFECTS

Motorized Zoom  
Dual Variable Frost Filter (Medium/ Wash)  
4 Facet Round, 4 Facet Linear Prism  
Motorized Iris  
Variable 16-bit Dimming Curve Modes  
High Speed Electronic Shutter and Strobe  
Pan Angle: 540° / 630°  
Tilt Angle: 250°

## COLOR

RGBMA Color Array  
CMY Emulation  
Variable CCT 2400K - 8500K  
Green/Magenta Shift  
Virtual Gel Swatch Book

## GOBOS

2x 6 Rotating / Indexing Interchangeable Glass Gobos  
1x 7 Fixed Interchangeable Glass Gobos  
Animation Wheel

## CONTROL / CONNECTIONS

4 DMX Channel Modes (RGBMA 34/44) (CMY 32/40)  
16-bit Pan, Tilt, and Dimming Control  
DMX Adjustable LED Frequency  
DMX, RDM, Art-NET, sACN Protocol Support  
4 Button Touch Control Panel  
Full Color 180° Reversible LCD Menu Display  
16 Bit Resolution Adjustable Movement  
5pin DMX In/Out  
Locking Ethernet In/Out  
IP65 Locking Power Cable In  
With Wired Digital Communication Network

## SIZE / WEIGHT

Length: 18.19" (462mm)  
Width: 21.26" (540mm)  
Width with Snoot: 23.2" (590mm)  
Vertical Height: 28.3" (719mm)  
Vertical Height with Snoot: 30.4" (771mm)  
Center Spacing (no snoot): 26.1" (662mm)  
Center Spacing (with snoot): 29.8" (757mm)  
Weight: 76.2 lbs. (34.5kg)

## ELECTRICAL / THERMAL

AC 100-240V - 50/60Hz  
1214W Max Power Consumption  
14°F to 113°F (-10°C to 45°C)  
BTU/hr (+/- 10%) 3839.66

## OPTIONAL ACCESSORIES

7030100797 - Snoot

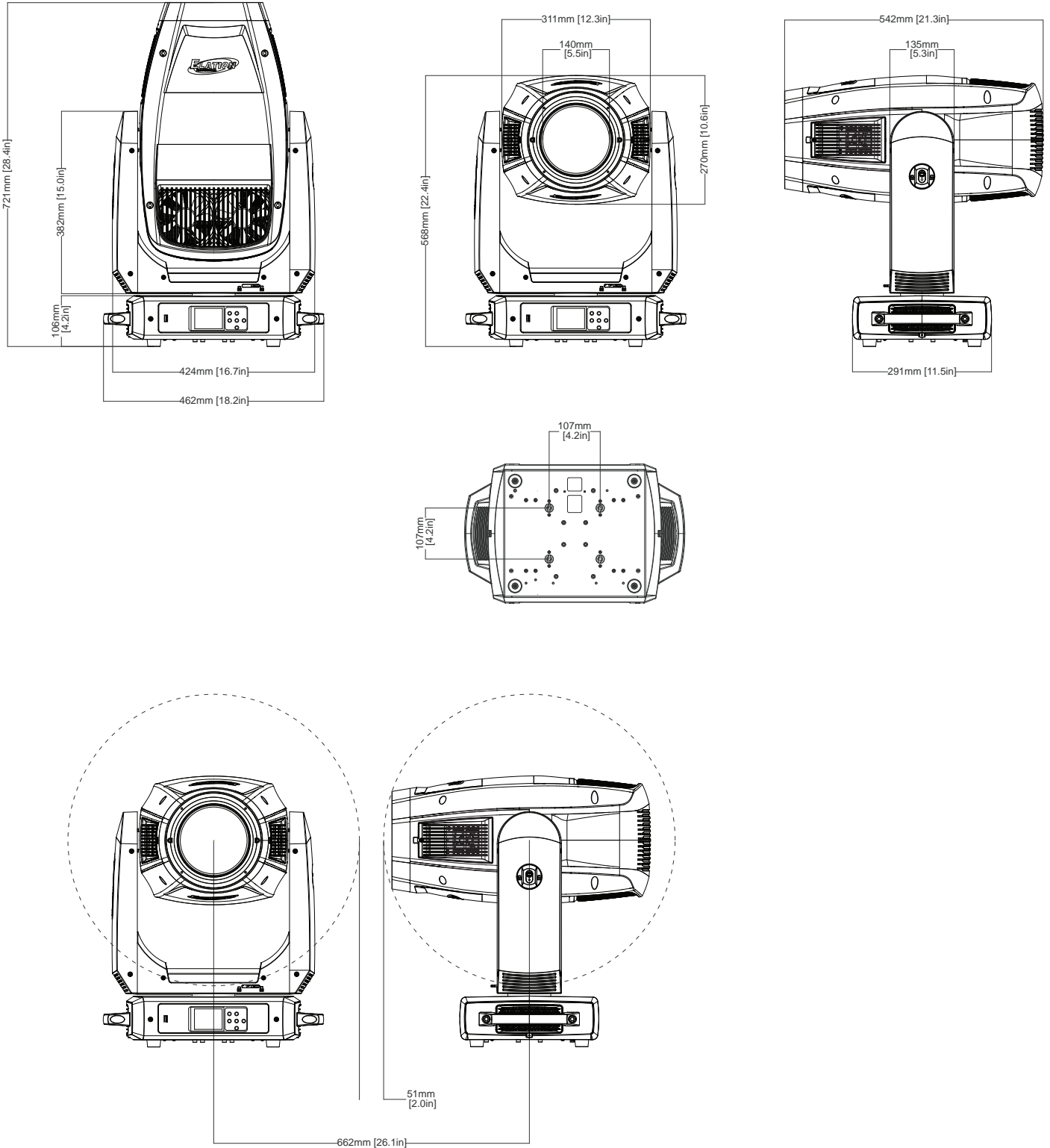
## APPROVALS / RATINGS

CE | cETLus | IP20



# DIMENSIONS - FUZE MAX SPOT

\*Drawings not to scale. Specifications and improvements in the design of this unit and this manual are subject to change without notice.

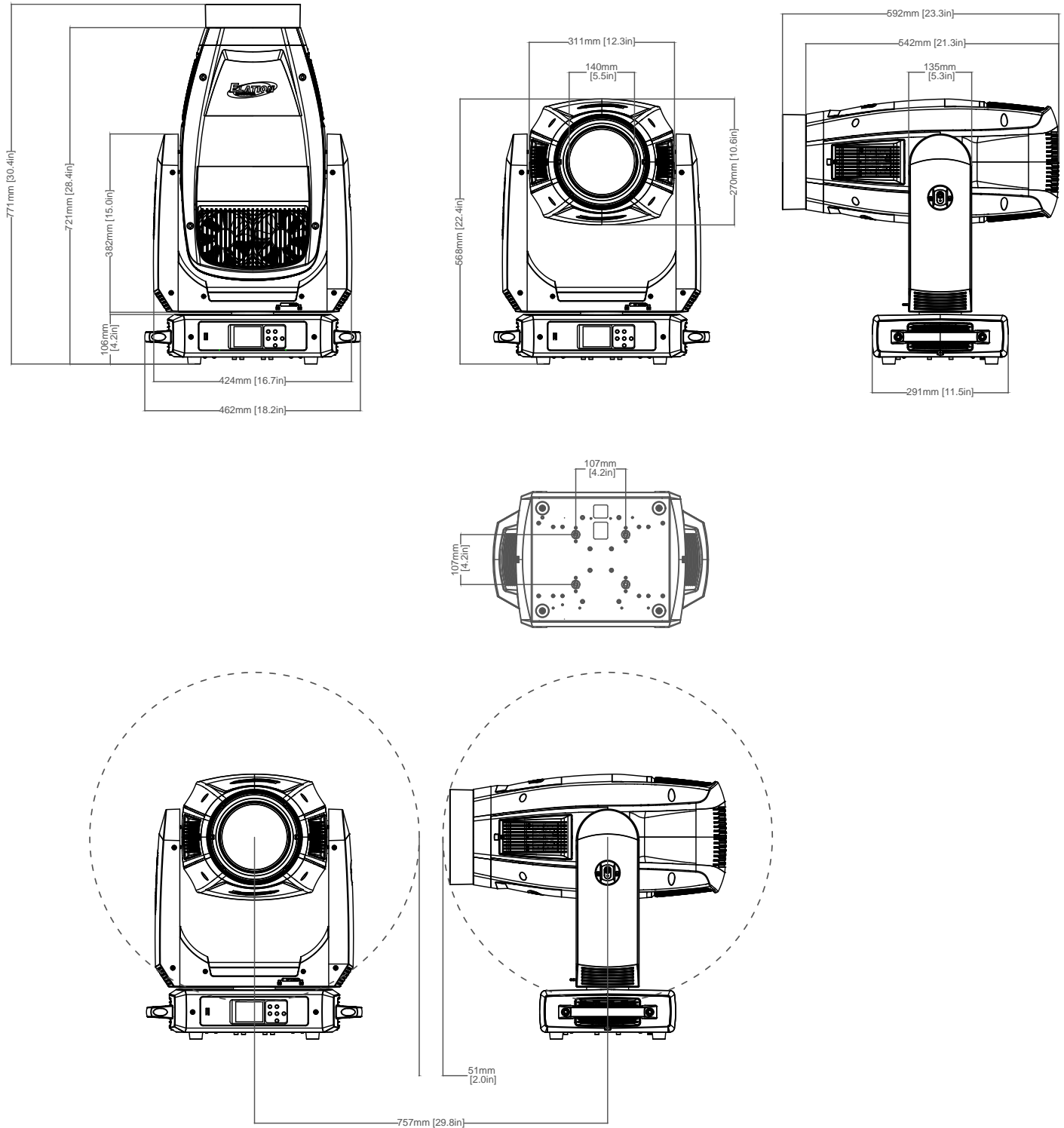


## Moving Head: Minimum Center-to-Center Fixture Installation Distance

To avoid damaging fixtures through moving-head radial interference impacts, a minimum center-to-center distance between fixtures must be established based on the moving-head movement arc of both fixtures,  $2R+S$ , where  $R$  = Moving-Head Movement Arc, and  $S$  = minimum clearance space. For this unit,  $S = 2.0\text{in}$  (51mm).

# DIMENSIONS - FUZE MAX SPOT WITH SNOOT

\*Drawings not to scale. Specifications and improvements in the design of this unit and this manual are subject to change without notice.



## Moving Head: Minimum Center-to-Center Fixture Installation Distance

To avoid damaging fixtures through moving-head radial interference impacts, a minimum center-to-center distance between fixtures must be established based on the moving-head movement arc of both fixtures,  $2R+S$ , where  $R$  = Moving-Head Movement Arc, and  $S$  = minimum clearance space. For this unit,  $S = 2.0\text{in}$  (51mm).

# OPTIONAL ACCESSORIES

ORDER CODE	ITEM
TRIGGER CLAMP	Heavy Duty Wrap Around Hook Style Clamp
SIP126	5 ft. (1.5m) IP65 Twist Lock Power Link Cable
AC5PDMX5PRO	5 ft. (1.5m) 5pin PRO DMX Cable
	Additional Cable Lengths Available



## FCC STATEMENT

This device complies with Part 15 of the FCC Rules. Operation is subject to the following two conditions: (1) this device may not cause harmful interference, and (2) this device must accept any interference received, including interference that may cause undesired operation.

## FCC RADIO FREQUENCY INTERFERENCE WARNINGS & INSTRUCTIONS

This product has been tested and found to comply with the limits as per Part 15 of the FCC Rules. These limits are designed to provide reasonable protection against harmful interference in a residential installation. This device uses and can radiate radio frequency energy and, if not installed and used in accordance with the included instructions, may cause harmful interference to radio communications. However, there is no guarantee that interference will not occur in a particular installation. If this device does cause harmful interference to radio or television reception, which can be determined by turning the device off and on, the user is encouraged to try to correct the interference by one or more of the following methods:

- Reorient or relocate the device.
- Increase the separation between the device and the receiver.
- Connect the device to an electrical outlet on a circuit different from which the radio receiver is connected.
- Consult the dealer or an experienced radio/TV technician for help.

## Energy Saving Matters (EuP 2009/125/EC)

Saving electric energy is a key to help protecting the environment. Please turn off all electrical products when they are not in use. To avoid power consumption in idle mode, disconnect all electrical equipment from power when not in use. Thank you!

This page intentionally left blank.

