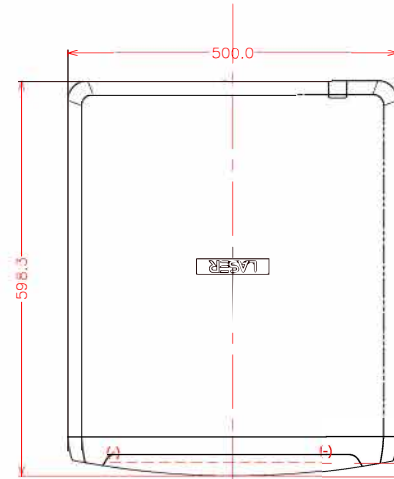


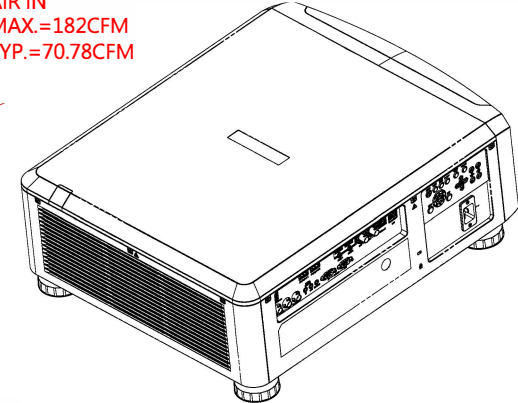
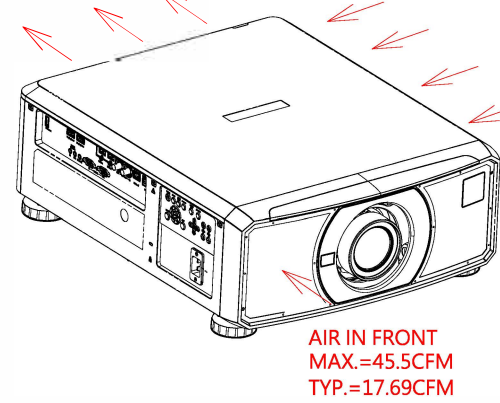
E-Vision 15000i 4K+

IF IN DOUBT, ASK.

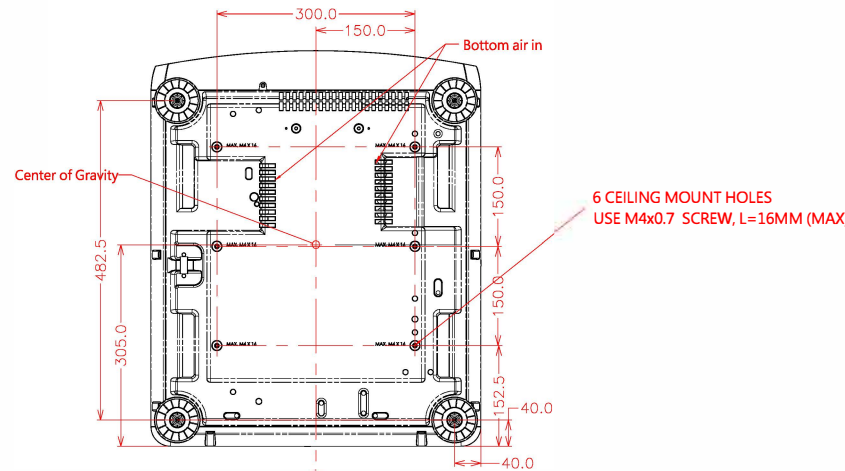
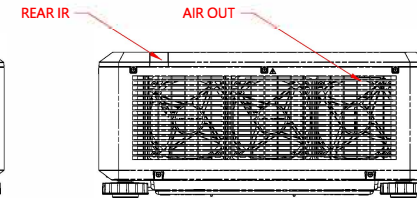
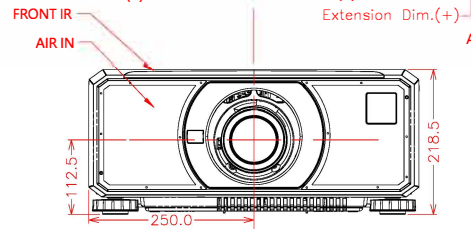
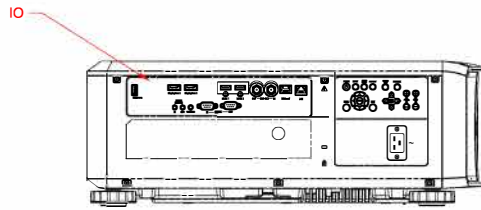


AIR OUT
MAX.=227.5CFM
TYP.=88.47CFM

AIR IN
MAX.=182CFM
TYP.=70.78CFM



AIR IN FRONT
MAX.=45.5CFM
TYP.=17.69CFM



P/N	LENS NAME	T/R	EXTENSION DIM.
124-318	Ultra Short Throw	0.31-0.33	+235.9 mm
124-319	Ultra-Wide Zoom 01	0.55-0.75	+113.6 mm
124-320	Ultra-Wide Zoom 02	0.74-1.08	+102.4 mm
124-321	Short Throw Zoom	1.05-1.41	+110.8 mm
124-322	Standard	1.4-2.11	+138.8 mm
124-323	Semi_Long Zoom	2.1-4.0	+111.3 mm

1. APPROVED FOR MANUFACTURE
 2. APPROVED FOR ASSEMBLY
 3. APPROVED FOR SHIPPING
 4. APPROVED FOR STORAGE
 5. APPROVED FOR REWORK
 6. APPROVED FOR REPAIR
 7. APPROVED FOR DISPOSITION
 8. APPROVED FOR DESTRUCTION
 9. APPROVED FOR REUSE
 10. APPROVED FOR RECYCLING
 11. APPROVED FOR REPAIR
 12. APPROVED FOR REPAIR
 13. APPROVED FOR REPAIR
 14. APPROVED FOR REPAIR
 15. APPROVED FOR REPAIR
 16. APPROVED FOR REPAIR
 17. APPROVED FOR REPAIR
 18. APPROVED FOR REPAIR
 19. APPROVED FOR REPAIR
 20. APPROVED FOR REPAIR

REV	DESCRIPTION	DATE	BY	CHKD	APPROVED
1					

DIGITAL PROJECTION
 E-Vision 15000i 4K+
 COMPONENT ORIGINAL
 AIRBURY L OF 1