

IMPORTANT:
Go to www.extron.com for the complete user guide and installation instructions before connecting the product to the power source.

Overview

The Extron FPC 6000 uses an Extron TLP Pro 1520M TouchLink® touchscreen to provide an intuitive 15-inch front panel controller for Extron FOX® matrix switchers. The FPC 6000 is a stand-alone device that does not require an external controller. This guide provides instructions for experienced installers to mount and install the touchpanel.

Setup Checklist

The FPC 6000 touchpanel ships with a Power over Ethernet (PoE) power injector and a 7U high, 19-inch wide, rack-mountable metal panel. When it ships, the touchpanel is already mounted in the panel.

Get Ready

- Obtain the following network information from your network administrator:
 - DHCP status** — on or off. If DHCP is off, you must also obtain:
 - IP address** for the FPC 6000 — by default, this is 192.168.254.251
 - Subnet mask** for the FPC 6000 — by default, this is 255.255.255.0
 - Gateway** for the FPC 6000 — by default, this is 0.0.0.0
 - User name** for the FPC 6000 — by default, this is admin
 - Password** for the FPC 6000 — the factory configured passwords for all accounts on this device have been set to the device serial number. Passwords are case sensitive.

NOTES:

- If the device is reset to default settings, the password is the default password configuration. The default password is **extron**.
- To change the password, you must use the Extron Toolbelt utility (see the *Toolbelt Help File*). Contact your Extron representative about obtaining a license for Toolbelt.

- IP address** for the matrix switcher
- Password** for the matrix switcher (see the user guide for your matrix switcher for information about the password).

Mount and Cable All Devices

NOTE: The FPC 6000 ships with a PoE power injector. You can use a 12 VDC 3.0 A power supply instead, but that power supply must be purchased separately.

ATTENTION:

- Do not power on the touchpanels or control processors until you have read the Attention in the “Rear Panel Features” section of the *FPC 6000 User Guide*.
- Ne branchez pas les écrans tactiles ou les contrôleurs avant d’avoir lu la mise en garde dans la section « Rear Panel Features » du *FPC 6000 User Guide*.

- Choose a suitable location and mount the units. When the FPC 6000 ships it is already mounted in a 7U high, 19-inch wide, rack-mountable metal panel. Secure the panel to any standard instrument rack or console (see **Mounting** on the next page).
- A Power over Ethernet power injector is provided with the FPC 6000. Connect the power injector to the FPC 6000 (see **figure 4** on page 4).
- Connect the power injector to the LAN and power it on (see **figure 4**).

Set up the FPC 6000 for Network Communication

Use the **Setup Menu** (see page 4) to set the DHCP status and, if necessary, the IP address, subnet mask, gateway, and related settings for the touchpanel.

The FPC 6000 requires no further configuration.

FPC 6000 • Setup Guide (Continued)

Mounting

Extron recommends mounting the FPC 6000 in a rack, using the provided rack mounting panel. However, wall mounting the FPC 6000 is another option.

ATTENTION:

- All structural steps and electrical installation must be performed by qualified personnel in accordance with local and national building codes and electrical codes.
- Toute étape structurelle et installation électrique, doit être effectuée par un personnel qualifié, conformément aux codes du bâtiment, aux codes incendie et sécurité, et aux codes électriques, locaux et nationaux.

1. When the FPC 6000 ships it is already mounted in a 7U high, 19-inch wide, rack-mountable metal panel. Decide where the FPC 6000 will be mounted.
2. Use the four provided rack-mounting screws to secure the FPC 6000 to any standard equipment rack or control console.

Follow the instructions in the Underwriters Laboratories Guidelines for Rack Mounting (see the *FPC 6000 User Guide*, available at www.extron.com) to ensure the rack is mounted safely.

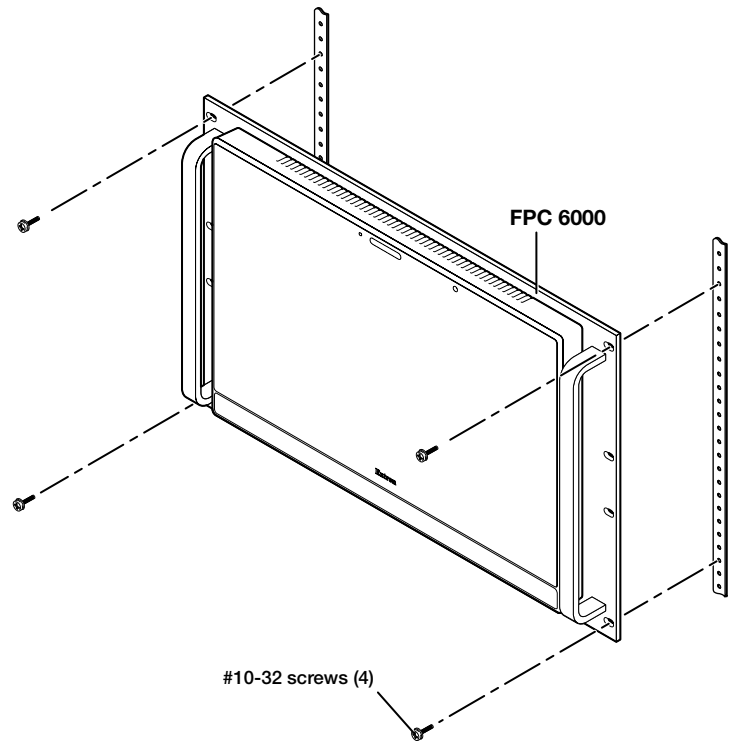


Figure 1. Rack Mounting the FPC 6000

Wall Mounting the FPC 6000

The FPC 6000 can also be wall-mounted, either using the Extron BB 700M wall box or directly into drywall. Some local building codes require the touchpanel to be mounted in a wall box. To use the BB 700M, see the *TLP Pro 1220MG*, *TLP Pro 1520MG*, and *TLP Pro 1720MG Setup Guide*, at www.extron.com. If the wall box is not required by local building codes, you can mount the touchpanel directly into drywall.

ATTENTION:

- Do not install the FPC 6000 in a fire resistant rated wall or partition assembly.
- Ne pas installer le FPC 6000 dans un mur résistant au feu ou une cloison.
- All structural steps and electrical installation must be performed by qualified personnel in accordance with local and national building codes and electrical codes.
- Toute étape structurelle et installation électrique, doit être effectuée par un personnel qualifié, conformément aux codes du bâtiment, aux codes incendie et sécurité, et aux codes électriques, locaux et nationaux.

1. Download the cut-out template for the TLP Pro 1520MG from www.extron.com. Print it at 100% (no scaling).
2. Use the template to mark the wall, cut the hole, and drill the four pilot holes.
The size of the cut-out hole is 8.90 inches (22.61 cm) wide x 5.70 inches (14.48 cm) high.
3. The FPC 6000 ships, already mounted, in a rack-mountable metal panel. Remove the FPC 6000 from the panel and, remove the mounting plate that is attached to the panel by screws.
4. Secure the mounting plate to the mounting surface with four #10 screws. The installer must use screws and fasteners that are appropriate for the mounting surface.
5. Run and connect cables to the back of the touchpanel (see [Rear Panel Features](#) on the next page).
6. Insert the two provided Phillips pan head #6-32 x 3/4-inch screws with washers in the mounting screw slot (see [figure 4](#), ①, on the next page). Leave a gap for the flange at the bottom of the mounting plate to fit into.
7. Hold the touchpanel at a slight angle and lower the notches at the top of the back panel (see figure 2, ④) over the hooks of the mounting plate.
8. Swing the bottom of the touchpanel inwards so that it lies flat against the mounting plate. The flange at the bottom of the mounting plate sits in a groove in the bottom of the touchpanel.
9. Secure the touchpanel to the mounting plate with the mounting screws.

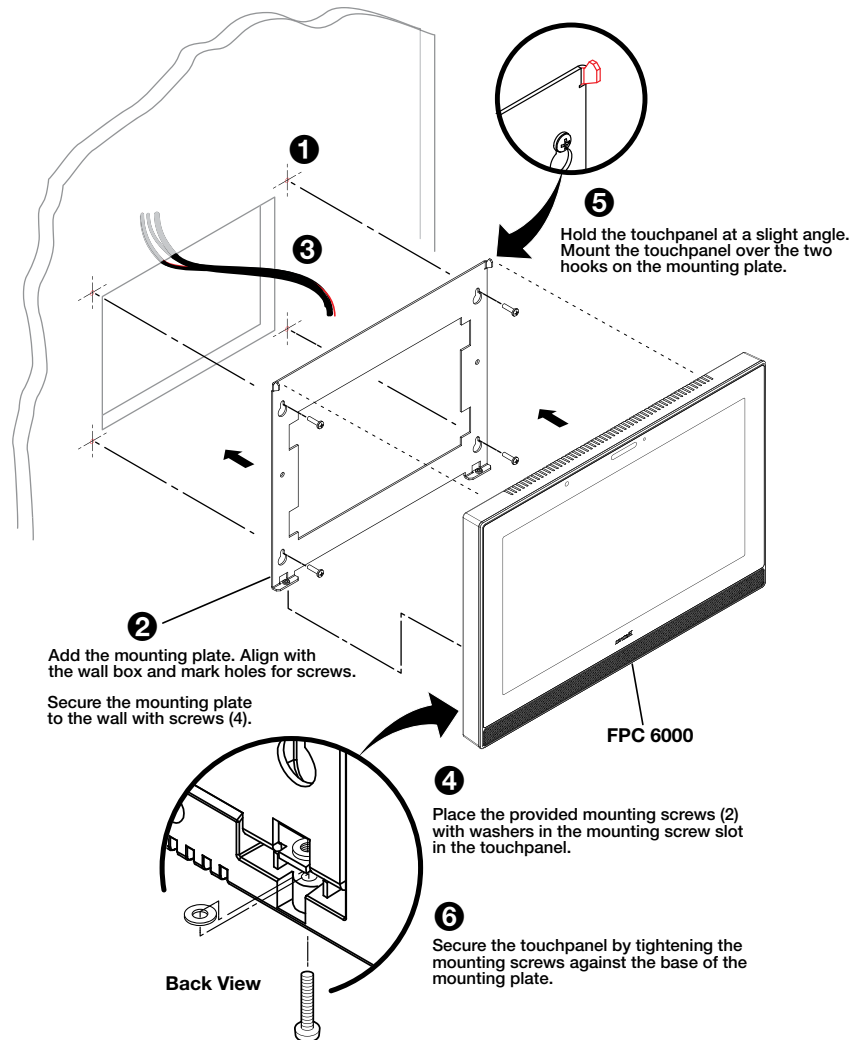


Figure 2. Wall Mounting the FPC 6000

Front Panel Features

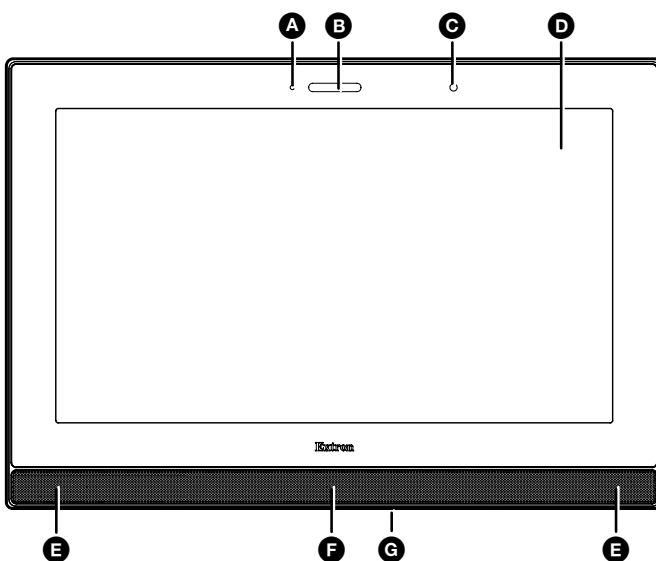


Figure 3. FPC 6000 Front Panel

- ① **Communication LED** — Lights briefly when unit is powered on.
- ② **Status Light** — Lights briefly when unit is powered on.
- ③ **Ambient Light Sensor** — Monitors ambient light level and adjusts screen brightness.
- ④ **Capacitive Touch Screen** — A 15.6 inch screen with 1366x768 resolution.
- ⑤ **Speakers** — Provide audible feedback from button presses.
- ⑥ **Motion Sensor** — Detects motion in front of the touchpanel.
- ⑦ **Menu Button** — Activates the setup menu and calibration screen (see [Setup Menu](#) on page 4). It is accessed from under the touchpanel. It performs the same function as the rear panel **Menu** button but is easier to reach when the touchpanel is installed.

NOTE: Extron recommends using the **FPC Settings** link on the [Login Screen](#) (see page 5) to open the on-screen menus.

FPC 6000 • Setup Guide (Continued)

Rear Panel Features

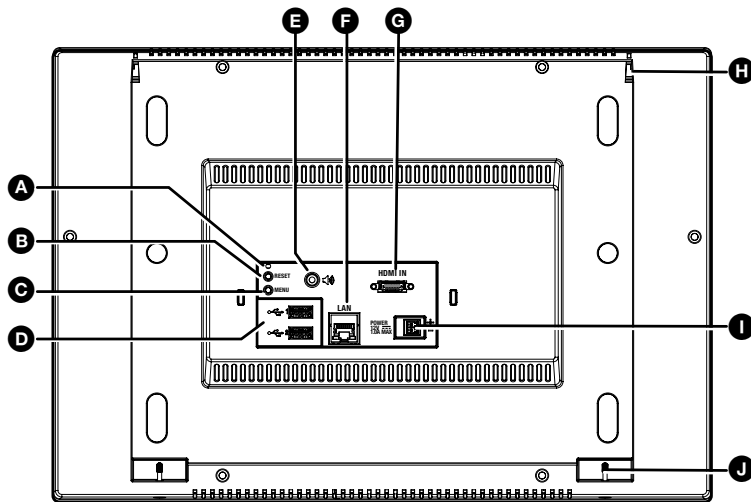


Figure 4. FPC 6000 Rear Panel

F XTP/LAN/PoE Input

NOTE: The FPC 6000 can be powered by either the provided PoE power injector or a 12 VDC, 3.0 A power supply (which must be purchased separately). Do not remotely power the touchpanel using an XTP device.

- **XTP input** — Do not connect the FPC 6000 directly to an XTP source.
- **LAN input** — If you use the provided 12 VDC power supply, connect the FPC 6000 directly to the network using a twisted pair cable, terminated with an RJ-45 connector.
- **PoE input** — If you use the provided PoE power injector, connect the FPC 6000 to the power injector output and connect the power injector input to the LAN (see figure 4).

ATTENTION:

- Do not power on the touchpanels or control processors until you have read the Attention in the “Rear Panel Features” section of the *FPC 6000 User Guide*.
- Ne branchez pas les écrans tactiles ou les contrôleurs avant d’avoir lu la mise en garde dans la section « Rear Panel Features » du *FPC 6000 User Guide*.

G HDMI Input — No function in FPC 6000.

H Mounting Slot (2) — Used to attach the mounting plate to the FPC 6000.

I 12 VDC Power Supply Input — If you are not using PoE, connect a 12 VDC, 3.0 A power supply to this captive screw connector. The power supply must be purchased separately. Extron recommends the PS 1230 Limited Power Source (LPS).

J Mounting Screw Slot (2) — Used to secure the mounting plate to the FPC 6000.

A Reset LED — Provides feedback about the reset status when the user presses the **Reset** button (see [Reset Modes: a Brief Summary](#) on page 8).

B Reset Button — Press the **Reset** button to reset the unit in any of three different modes (see [Reset Modes: a Brief Summary](#)).

C Menu Button — Activates the setup menu and calibration screen (see [Setup Menu](#), below).

NOTE: Extron recommends using the **FPC Settings** link on the **Login Screen** (see page 5) to open the on-screen menus.

D USB Connectors — No function in FPC 6000.

E Audio Output — No function in FPC 6000.

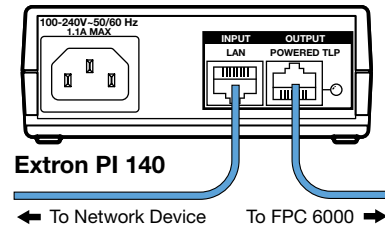


Figure 5. Connecting the PoE Power Injector

Setup Menu

Press the **FPC Settings** link on the Login screen to open the setup menu. Select any of the five available screens (Status, Network, Display, Audio, and Advanced) by pressing the appropriate button in the navigation bar at the top of the screen (for more information, see the *FPC 6000 User Guide*).

The setup menu is used to configure the network settings for the FPC 6000.

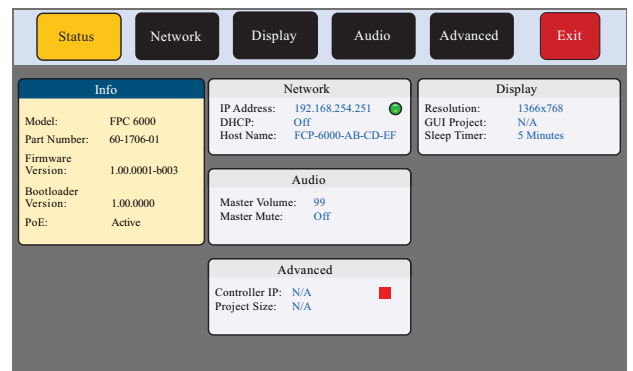


Figure 6. Setup Menu: Status Screen for FPC 6000

FPC 6000 Web Page

1. Open a web browser on a PC connected to the same subnet as the FPC 6000.
2. Enter the IP address of the FPC 6000 into the web browser.
3. In the dialog box that opens, enter the touchpanel user name (by default, this is admin) and password.

NOTES:

- The factory configured passwords for all accounts on this device have been set to the device serial number. Passwords are case sensitive.
- If the device is reset to default settings, the password is the default password configuration. The default password is extron.
- To change the password, you must use the Extron Toolbelt utility (see the *Toolbelt Help File*). Contact your Extron representative about obtaining a license for Toolbelt.

A single page provides read-only information about the unit. It also allows you to update the FPC 6000 firmware (see the *FPC 6000 User Guide* for more information).

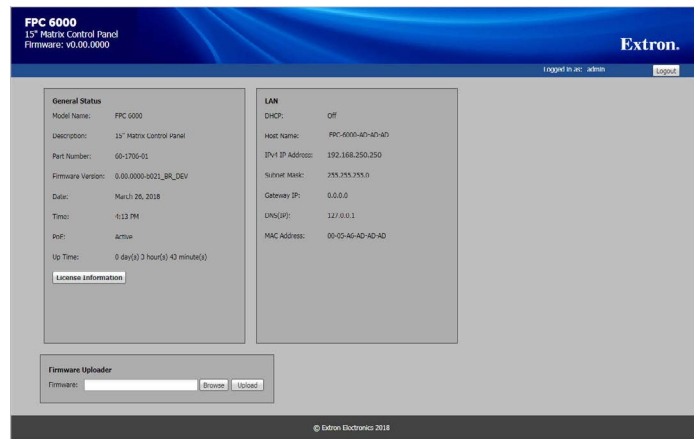


Figure 7. FPC 6000 Web Page

Operation

The FPC 6000 has a **Login Screen** and four main screens (**Ties**, **Status**, **I/O Info**, and **Customize**) that allow you to control, monitor, access, and manage a range of Extron matrix switchers through a direct connection or over a local area network.

Login Screen

When the FPC 6000 is powered on, it opens to the login screen.

1. Press the **Matrix IP Address** text box. An on-screen keyboard appears.
2. Enter the IP address of the matrix switcher. If you have previously connected to the matrix switcher, the IP address may already be displayed, or may be available in the drop-down menu.
3. Press the **Port** text box and enter the port number. This is usually 23.
4. Press the **Password** text box and enter the password for the matrix switcher.

NOTE: See the user guide for the matrix switcher for information about device passwords.

5. Press **Connect**. The FPC 6000 attempts to connect to the matrix switcher. If the connection is successful, the FPC 6000 opens to the Ties screen. If the connection is unsuccessful, you see an error message. Check that you have the correct values for the IP address, port number, and password before re-entering the values.

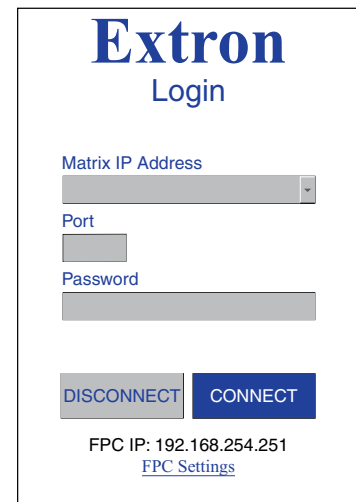


Figure 8. FPC 6000 Login Screen

FPC 6000 • Setup Guide (Continued)

Ties

Press the **Ties** menu button. When the Ties screen is selected, the label on the button changes to Ties / Refresh.

- A Menu Buttons** — For navigating to the other main screens.
- B Input Buttons** — The block of numbered buttons on the left shows 20 matrix switcher inputs at a time. Use the scroll bar to see more. Inputs with an active source have a blue rectangle in the top right corner.
- C Change View** — Use these tabs to toggle between the standard view (matrix mode) and the alternative view (keypad mode) that allows you to work with a single input or output at a time.
- D Output Buttons** — The block of numbered buttons on the right shows 20 matrix switcher outputs at a time. Use the scroll bar to see more.
- E Presets** — This menu allows you to save the current configuration as a Global preset or replace the current configuration with a previously saved preset.
- F Mute Selection** — Allows only AV mute. FOX matrix switchers do not allow breakaway audio.
- G Mute Controls** — Allow you to mute audio and video on a selected output.
- H Take** — Use this screen to set up potential ties. For those ties to go into effect, press **Take**.
- I Select All** — Allows you to set up potential ties from one input to all outputs.
- J Clear Selection** — Use this button to clear potential ties before they go into effect.



Figure 9. FPC 6000 Ties Screen

For complete instructions about creating and breaking ties, or saving and recalling presets, see the *FPC 6000 User Guide*.

Create Ties

NOTE: One input can be tied to multiple outputs but each output can be tied to only one input.

1. Press an input button to select it. The color of the button changes to blue. If the input is already tied to one or more outputs, those output buttons change color to orange.
2. Press one or more previously untied output buttons to select them. The selected button changes color and an orange plus sign appears in the bottom right corner of the button. The **Take** button becomes activated.
3. Press **Take**. The tie is saved.

Break Ties

1. Press an input button to select it. The color of the button changes to blue and any outputs already tied to that input change to orange.
2. Press one or more of the previously tied output buttons to select them. An orange minus sign appears in the bottom right corner of the button. The **Take** button becomes activated.
3. Press **Take**. The tie is broken.

Select All

1. Press an input button to select it. The color of the button changes to blue and any outputs already tied to that input change to orange.
2. Press **Select All**. All the output buttons are selected. The **Take** button becomes active and a new, **Break** button is also available.
3. Press **Take** to tie the selected input to all outputs.
Or press **Break** to break all existing ties to the selected input.

Save Presets (Global Presets only)

NOTE: To save rooms or room presets, you must use Simple Instruction Set™ commands (see the user guide for your matrix switcher). The FPC 6000 can save global presets and recall global and room presets.

1. Press **Presets** to open the presets menu.
2. Press **Save As . . .**. A drop-down menu shows all the previously saved and unassigned presets.
3. Select a preset. You can overwrite an existing preset or select **[unassigned]** and create a new preset.
4. If you select an unassigned preset, an on-screen keyboard opens. Enter a name for the preset.
5. Press **Submit** on the keyboard (for a new preset) or press **Save Preset** to overwrite an existing preset.

Recall Presets

When you recall a preset, it overwrites the current configuration for the matrix switcher.

1. Press **Presets** to open the presets menu.
2. Press **Recall from...**
3. Select either **Global** or **Room** from the Preset Type menu.
 - If you select **Global**, a list of global presets appears. Select a preset and press **Recall Preset**.
 - If you select **Room**, a list of rooms appears. Select a room. A list of presets for that room appears. Select a preset and press **Recall Preset**.

Status

Press the **Status** menu button.

The Status screen is read-only and provides information about the status of the matrix switcher.



Figure 10. FPC 6000 Status Screen

I/O Info

The I/O Info screen allows you to find complete information about a single input or output. Press **I/O Info** in the menu bar.

Select either the **Inputs** or **Outputs** tab.

If you select **Inputs**, press an input button. If there are any tied outputs, they are listed on the right of the screen.

If you select **Outputs**, press any output button. If it is tied to an input, that input is shown on the right of the screen.

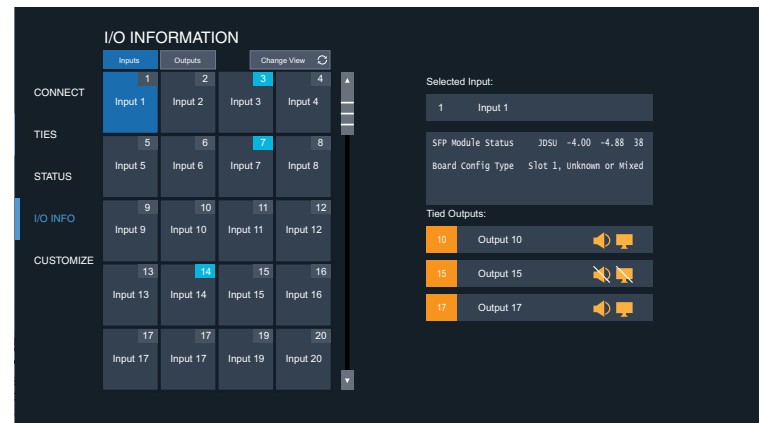


Figure 11. FPC 6000 I/O Info Screen

Customize

The Customize screen allows you to change the appearance of the graphical user interface.

Press **Customize** in the menu bar.

1. Select one of the three options:
 - **Dark** (default)
 - **Medium**
 - **Light**

The selected option is highlighted in blue.

2. Press **Save Changes** to save the selection.

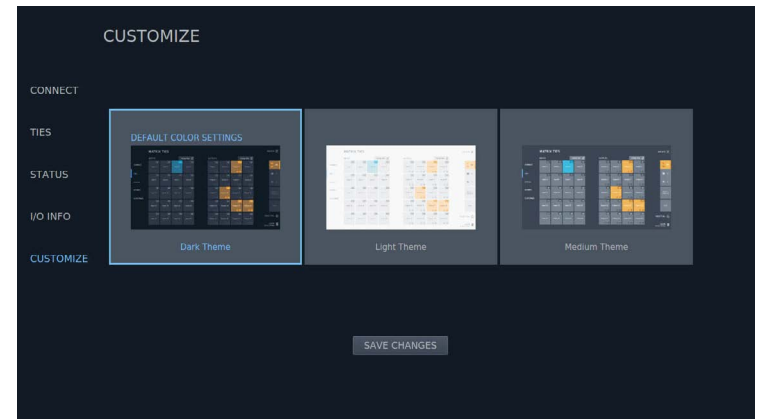


Figure 12. FPC 6000 Customize Screen

Reset Modes: a Brief Summary

The FPC 6000 offers the following reset modes (see the *FPC 6000 User Guide* for complete information):

- **Use Factory Firmware** — With the unit powered off, press and hold the **Reset** button (see [figure 4](#), **B** on page 4) while reapplying power to the unit.
- **Reset All IP Settings** — Press and hold the **Reset** button for 6 seconds. After the Reset LED (**A**) blinks twice, release and momentarily press the **Reset** button. Use this mode to reset all network settings to factory defaults without affecting user-loaded files.
- **Reset to Factory Defaults** — Press and hold the **Reset** button for 9 seconds. After the Reset LED blinks three times, release and momentarily press the **Reset** button. Use this mode to return the touchpanel to factory default settings.