

Specifications • NAV E 201 D (Continued)

Video output stream

Number/signal type.....	1 PURE3 digital video over IP
Connector.....	1 RJ-45 connector

Audio

Sampling rates.....	32, 44.1, 48 kHz
Bit depths	16, 20, 24 bit

Audio input

Number/signal type.....	1 digital stereo, de-embedded from HDMI
Connectors.....	1 female HDMI type A (shared with video input)
Supported formats.....	LPCM (2 channel)

Audio output stream

Number/signal type.....	1 audio over IP LPCM 1 audio over IP AES67*
Connector.....	1 RJ-45 connector

NOTE: *AES67 specifications are compatible with the Extron DSPs.

Network interconnection (NAV)

Connector type.....	1 RJ-45
Ethernet standards	1GbE (802.3ab), 10/100/1000 Base-T, half/full duplex with autodetect
Termination	Auto-MDIX, TIA/EIA T568B
Power over Ethernet (PoE)	Complies with IEEE 802.3at Type 2 (PoE+), class 4
Protocols	
Streaming.....	SRTP (AES-128) on video and audio
Transport.....	Multicast UDP
All supported.....	DHCP, HTTPS, IGMPv2/v3, IPv4, PTPv2, QoS, SSH, TCP, UDP
Security	AES-256, 802.1X, Active Directory authentication
Signal transmission distance	330' (100 m) using CAT 5e/6/6a/7 cables

Communications - external devices

Serial	
Quantity/type.....	1 bidirectional RS-232
Connector	(1) 3.5 mm captive screw connector, 5 pole (shared with IR port)
Baud rate and protocol.....	300 to 115200 baud (9600 baud = default) 8 (default) or 7 data bits 1 (default) or 2 stop bits no parity (default), even or odd parity
Pin configuration.....	Tx, Rx, and Gnd
IR control	
Quantity/type.....	1 TTL level (0 to 5 V) infrared (carrier and non-carrier) up to 300 kHz
Connector	(1) 3.5 mm captive screw connector, 5-pole (shared with RS-232)
Pin configuration.....	S = signal and G = Gnd
IR output carrier frequency	30 kHz to 300 kHz
USB configuration port	
Quantity/type.....	1 front panel USB mini-B
Standard	Ethernet over USB

Specifications • NAV E 201 D (Continued)

General

Power supply	External
	Input: 100-240 VAC, 50-60 Hz
	Output: 12 VDC, 2.0 A, 24 watts

NOTE: Each 1G endpoint can be powered either locally by an external power supply or remotely using optional PoE+.

Power consumption

Device	19.5 watts
Device and power supply	22.1 watts
PoE	Complies with IEEE 802.3at Type 2 (PoE+), class 4

Temperature/humidity Storage: -40 to +158 °F (-40 to +70 °C) / 10% to 90%, noncondensing
Operating: +32 to +104 °F (0 to +40 °C) / 10% to 85%, noncondensing

Cooling Fan, air flows from bottom to top

Thermal dissipation

Device	65.6 BTU/hour
Device and power supply	74.4 BTU/hour
Device with PoE	73.4 BTU/hour

Mounting

Rack mount.....	No
Furniture or wall mount.....	Yes, in a standard US 3-gang electrical junction box or mud ring.

Enclosure type Metal

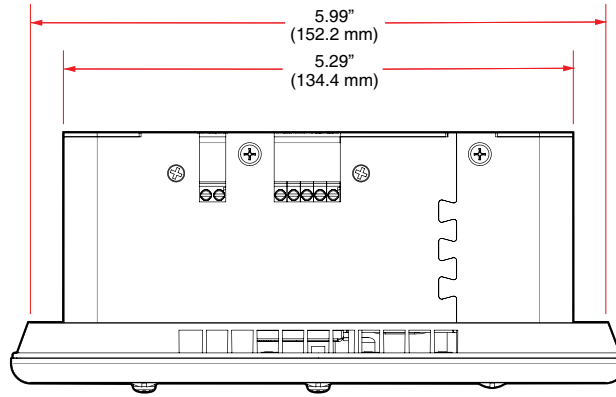
Specifications • NAV E 201 D (Continued)

Enclosure

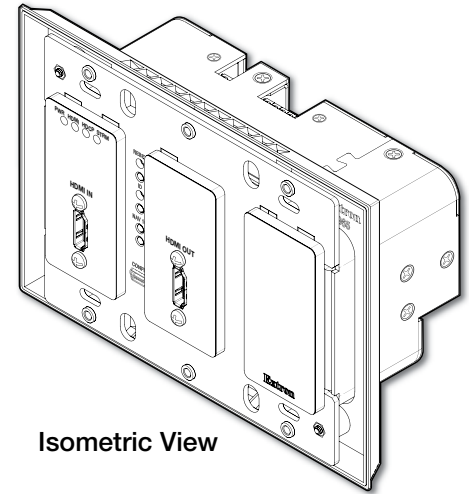
Faceplate	4.5" H x 6.4" W x 0.72" D (11.4 cm H x 16.3 cm W x 1.82 cm D)
Device	2.72" H ¹ x 5.29" W x 1.81" D ² (6.9 cm H ¹ x 13.4 cm W x 4.6 cm D ²)

NOTE: ¹ Overall height is 4.1" (10.4 cm) including mounting tabs

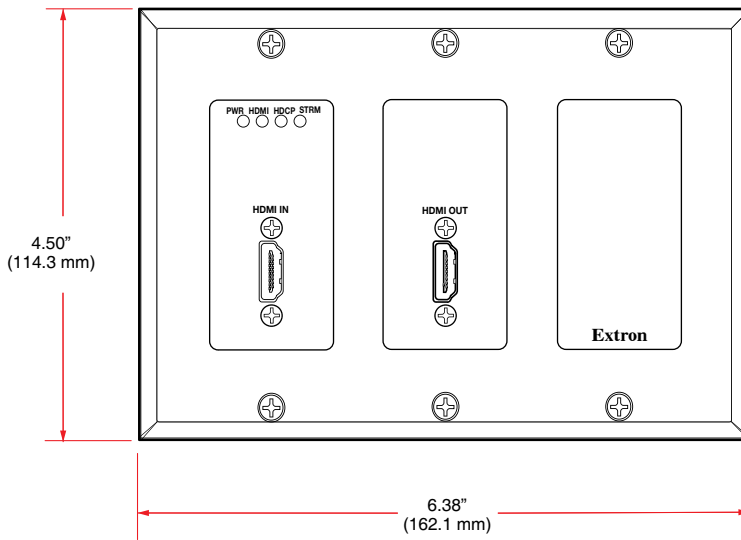
NOTE: ² Depth excludes connectors. Fits the openings in a 3-gang decorator-style wallplate.



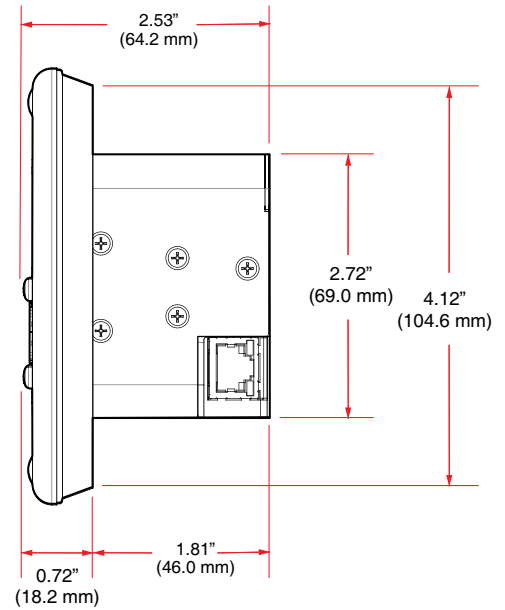
Top View



Isometric View



Front View



Side View

Product weight	1.5 lbs (0.68 kg)
Regulatory compliance.....	CE, c-UL UL,C-tick, FCC Class A, ICES, KC, VCCI, Complies with the appropriate requirements of RoHS, WEEE
Product warranty	3 years parts and labor
Everlast power supply warranty.....	7 years parts and labor

Specifications • NAV E 201 D (Continued)

NOTE: All nominal levels are at $\pm 10\%$.

NOTE: Specifications are subject to change without notice.

NOTE: Shipping weights and dimensions are available at www.extron.com.

5522-D3