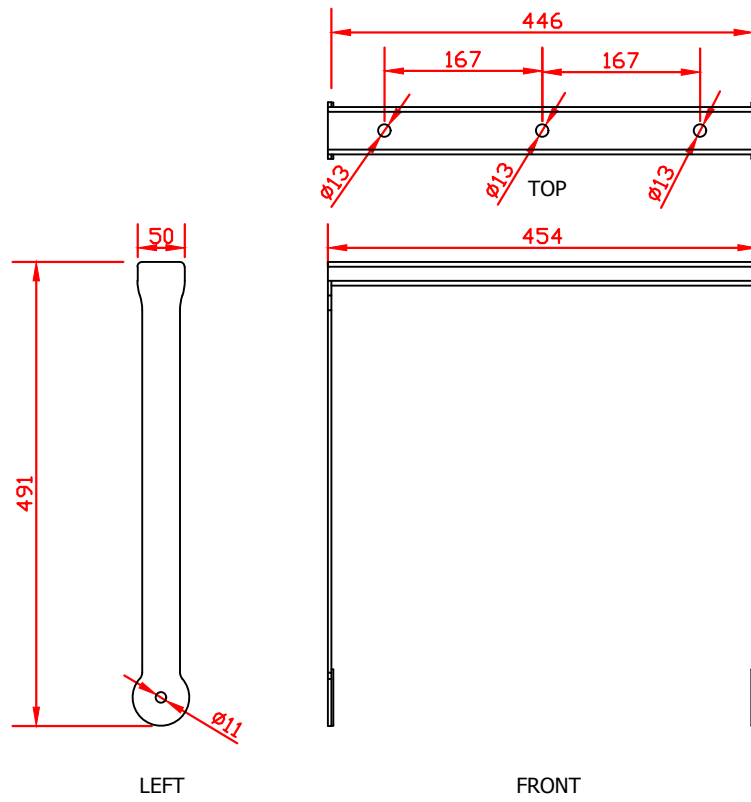
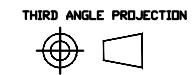


ISOMETRIC



DRAWING:	IBv-C15	VERSION:	1
SCALE:	1:8	TOLERANCES: ALL LINEAR DIMS +/- 0.2mm ALL ANGULAR DIMS +/- 0.5	
ALL MEASUREMENTS IN MILLIMETERS			



THIRD ANGLE PROJECTION

