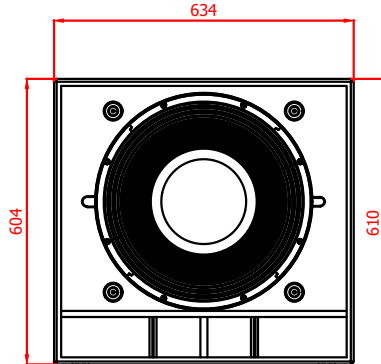
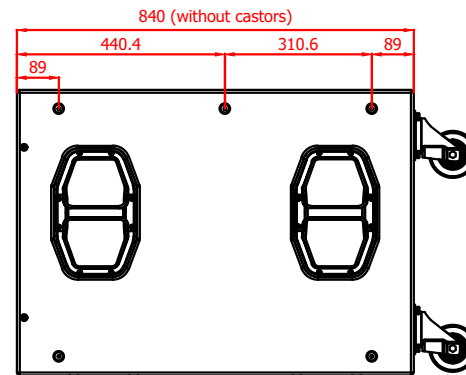


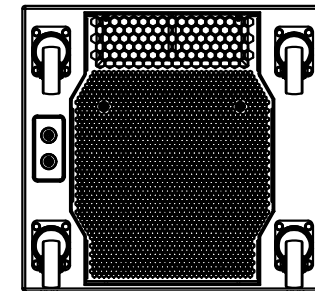
LEFT



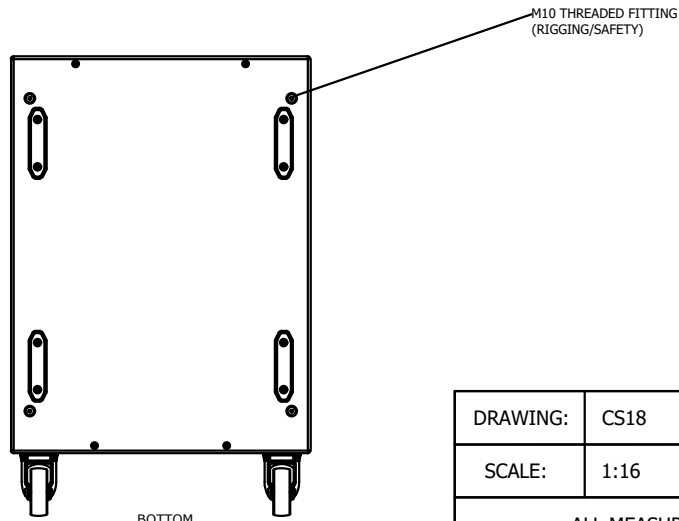
FRONT



RIGHT



REAR



BOTTOM

DRAWING:	CS18	VERSION:	2026	THIRD ANGLE PROJECTION 	
SCALE:	1:16	TOLERANCES: ALL LINEAR DIMS +/- 0.2mm ALL ANGULAR DIMS +/- 0.5			
ALL MEASUREMENTS IN MILLIMETERS					