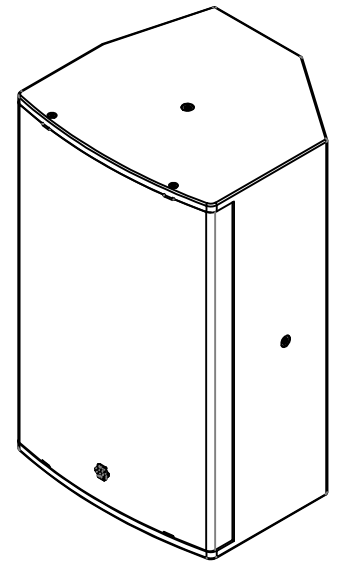
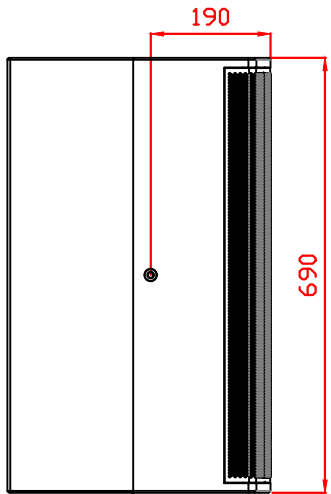


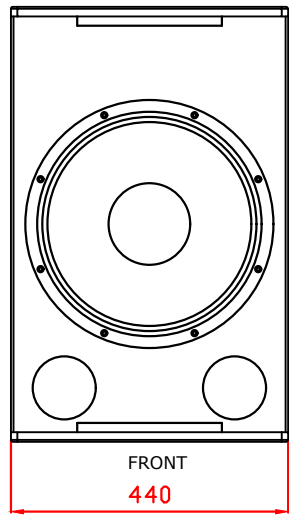
TOP



ISOMETRIC

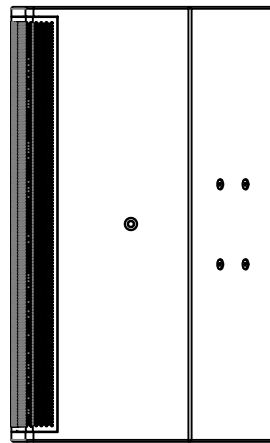


LEFT

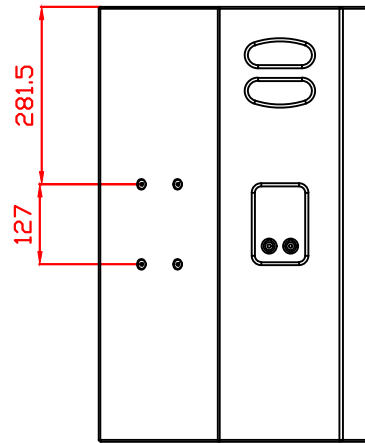


FRONT

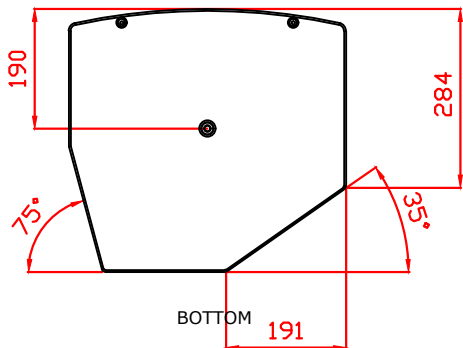
440



RIGHT



REAR



BOTTOM

191

DRAWING:	i-C15	VERSION:	1
SCALE:	1:12	TOLERANCES: ALL LINEAR DIMS +/- 0.2mm ALL ANGULAR DIMS +/- 0.5	
ALL MEASUREMENTS IN MILLIMETERS			

THIRD ANGLE PROJECTION

