

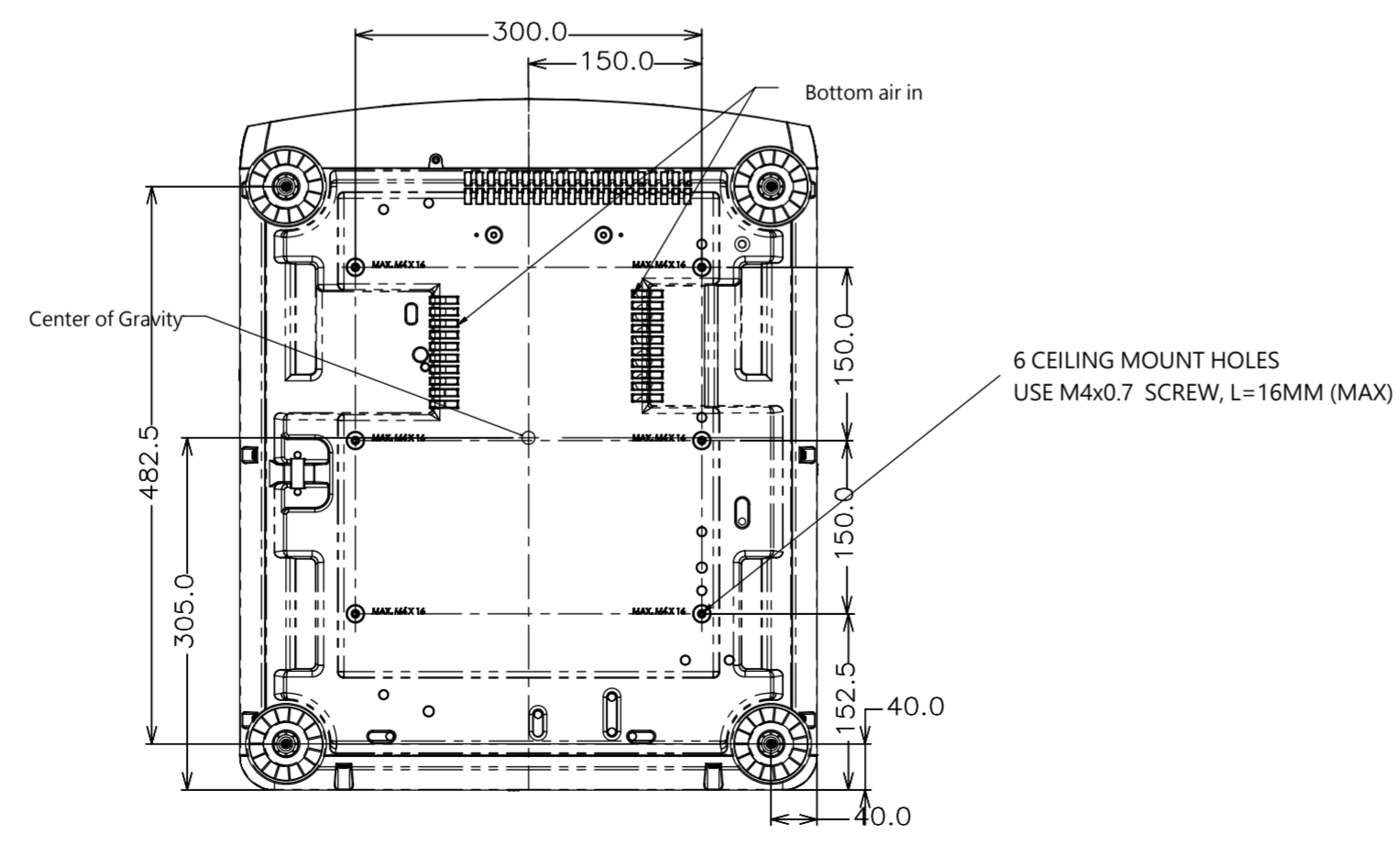
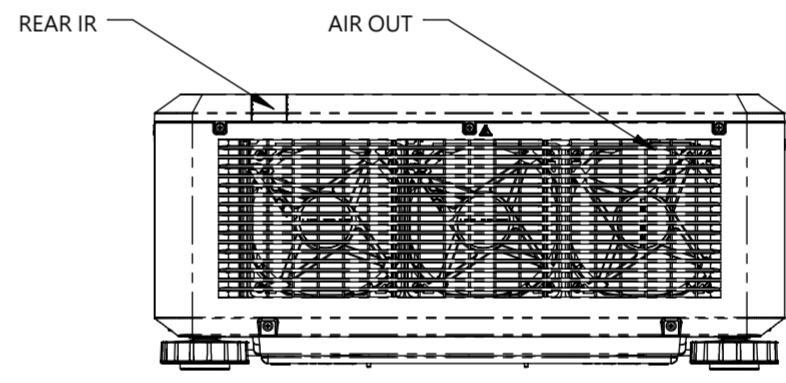
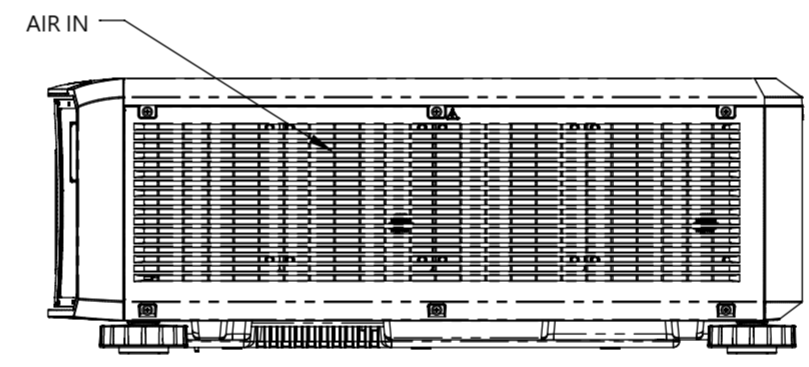
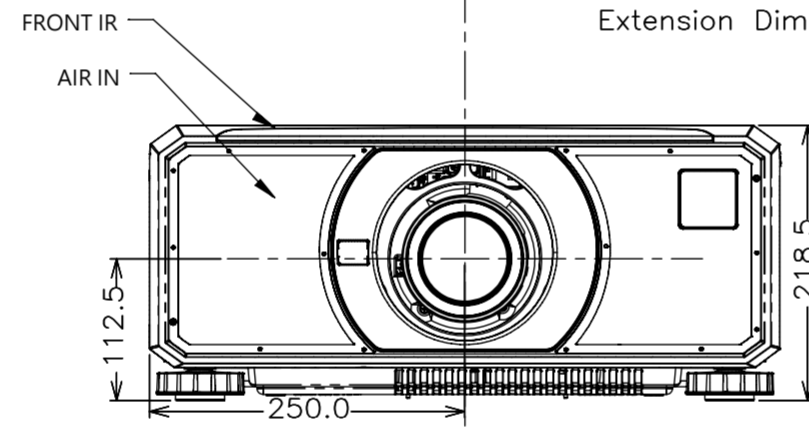
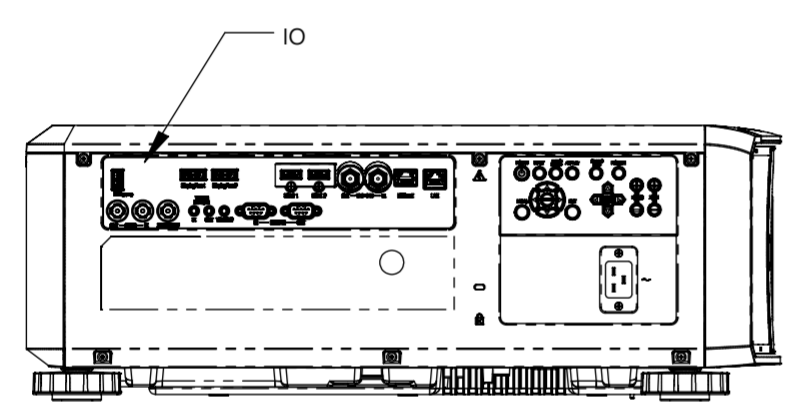
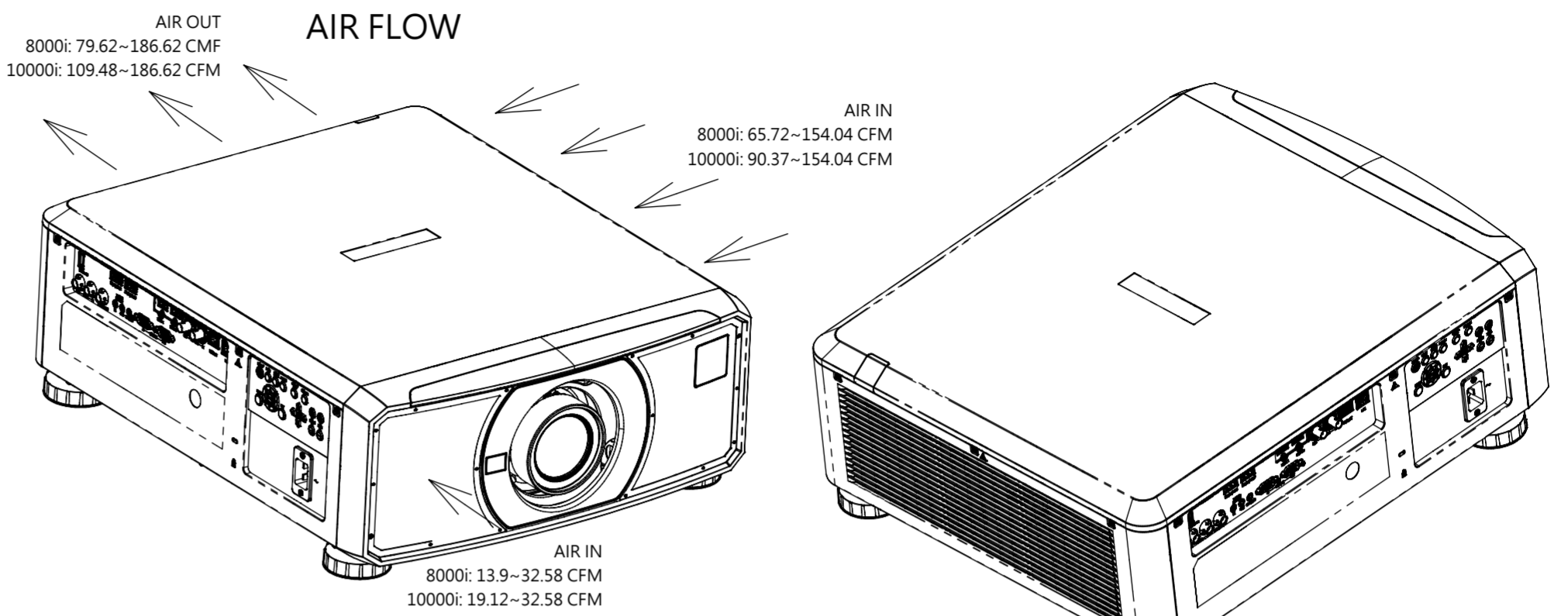
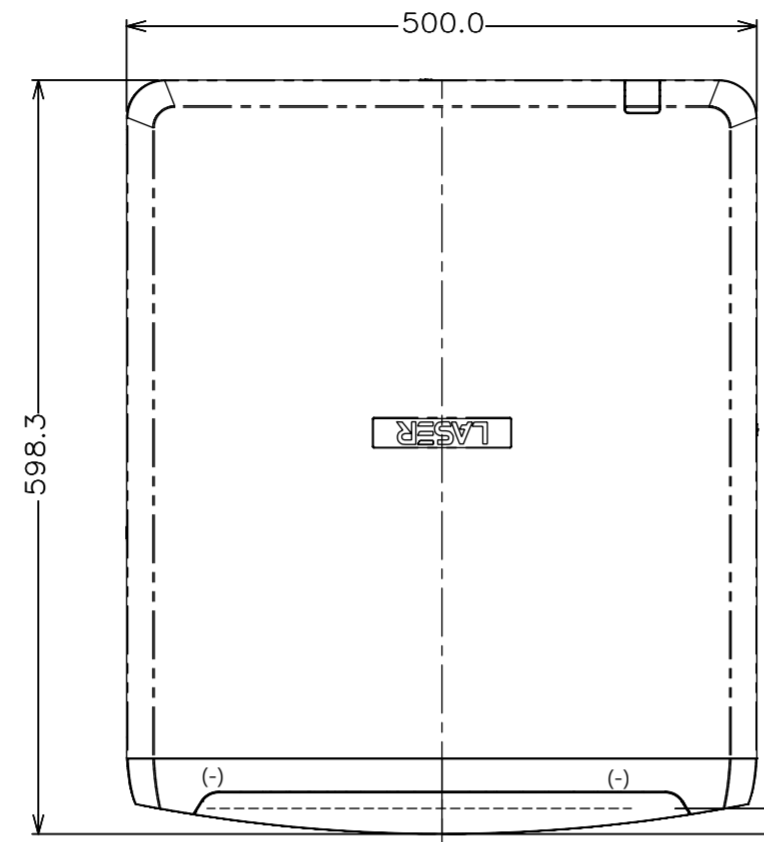
A2 DRG. No.

PROPRIETARY INFORMATION
 This document contains proprietary information which is intended to be confidential for a specific purpose. It shall not be reproduced, copied, transmitted, or otherwise disseminated in any form or by any means, electronic or mechanical, including photocopying, recording, or by any information storage and retrieval system, without the prior written permission of Digital Projection Ltd. It shall be returned immediately upon request.

DRAWN BS 308
 3rd Angle Projection

Distribution Code

IF IN DOUBT, ASK.



DP P/N	Throw Ratio WUXGA (0.67")	Extension Dim
112-501	1.73 ~ 2.27 : 1	-5.9mm
112-499	0.76 : 1	+13.7mm
112-500	1.25 ~ 1.79 : 1	+20mm
112-502	2.22 ~ 3.67 : 1	+13.5mm
112-503	3.58 ~ 5.38 : 1	+30.3mm
112-504	5.31 ~ 8.26 : 1	+70.9mm
115-339	0.75 ~ 0.93 : 1	+43mm
117-341B	0.377 : 1	+276.2mm

PART No.	DESCRIPTION
123-528	PROJECTOR, E-VISION 10000i WU
123-532	PROJECTOR, E-VISION 8000i WU

PRE REVS	ITEM	DESCRIPTION	REFER TO	No OFF	REMARKS
	7				
	6				
	5				
	4				
	3				
	2				
	1				

MATERIAL	CODE	FINISH

CAD GENERATED DRAWING
 DO NOT MAKE MANUAL CHANGES

LAST CHANGE

TOLERANCES UNLESS OTHERWISE STATED	DIMENSIONS IN MILLIMETRES
METRIC: 1.000 ±0.01 1.00 ±0.1 1.0 ±0.2 1 ±0.4	REMOVE ALL BURRS & SHARP EDGES. DO NOT SCALE DRAWING THE SURFACE TEXTURE ROUGHNESS NUMBER OF MACHINED SURFACES SHOULD BE EQUAL TO OR LESS THAN 0.8um (N6 CLA32)
IMPERIAL: Fractional ±1/64" Decimal ± 0.005"	REVISIONS
ANGLES ± 0° 30'	REV. A
	NOTE
	DRAWN jcharnley
	APP.DO.
	DATE 18-03-24

FIRST USED ON	ORIGINAL SCALE	DATE
	1:6	18-03-24

DIGITAL PROJECTION

TITLE: SEE ABOVE

UNIT 3 ANISEED PARK
 BROADGATE
 OLDHAM
 OL9 9XA

COMPONENT OR DRG.No.
 SEE ABOVE

A2-SHEET 1 OF 1