

Product Specifications

PGA81 Cardioid Condenser Instrument Microphone

Overview

The PGA81 cardioid condenser instrument microphone is a professional quality flat-response microphone featuring highly durable design and construction that delivers excellent sound. Ideal for use in sensitive acoustic instrument performance and recording, the PGA81 comes with a swivel adapter, carrying pouch and choice of with XLR cable, or without. Phantom power required.

Features

- Flat-response microphone cartridge design for clear reproduction of acoustic instrument sound sources in more sensitive environments.
- Cardioid polar pattern picks up audio from the source while rejecting unwanted noise
- Updated industrial design with black metallic finish and grille for unobtrusive visual presence
- Available with 4.6 m XLR-to-XLR cable
- Stand adapter for mounting to a microphone stand
- Zipper pouch included for additional protection during storage or transport
- Legendary Shure quality design and construction for exceptional performance in rigorous environments

Product Specifications

Type	Electret condenser
Frequency Response	40 to 18,000 Hz
Polar Pattern	Cardioid
Output Impedance	600 Ω
Sensitivity	-48.5 dBV/Pa (3.8 mV) <i>at 1 kHz, open circuit voltage</i> 1 Pa=94 dB SPL
Polarity	Positive pressure on diaphragm produces positive voltage on pin 2 with respect to pin 3
Weight	186 g
Connector	Three-pin professional audio (XLR), male
Power Requirements	48 VDC phantom power (2.0 mA)



PGA81

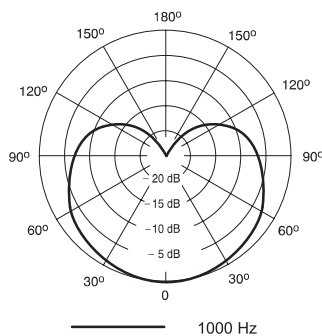
Available SKUs

PGA81-XLR	Microphone, clip, stand adapter, pouch and 4.6 m XLR-to-XLR cable
-----------	---

Accessories

A25D	Break-resistant microphone clip
31A1856	5/8" to 3/8" thread adapter
C25J	7.6 m XLR-to-XLR cable
A3WS	Black foam windscreen

Polar Pattern



Frequency Response

