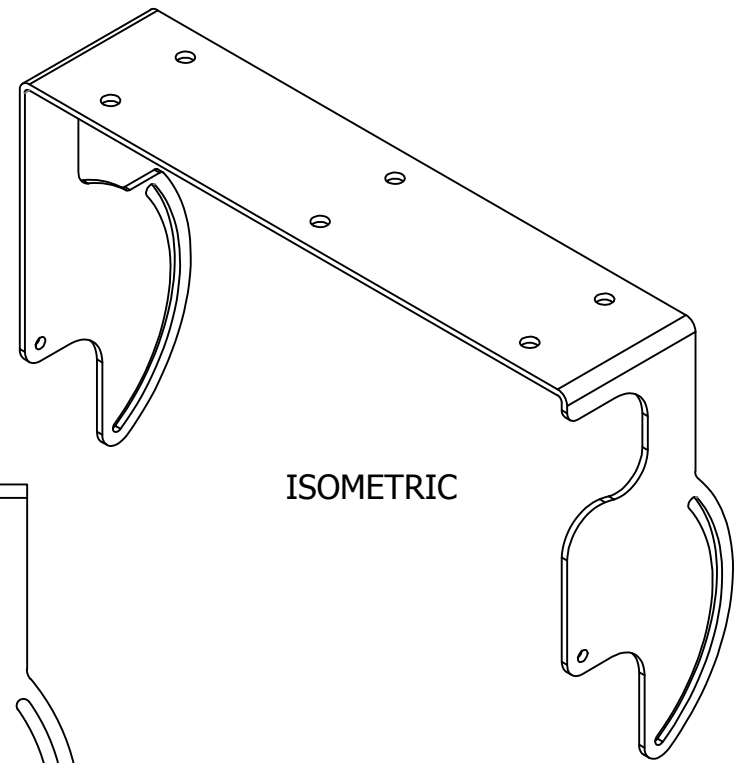
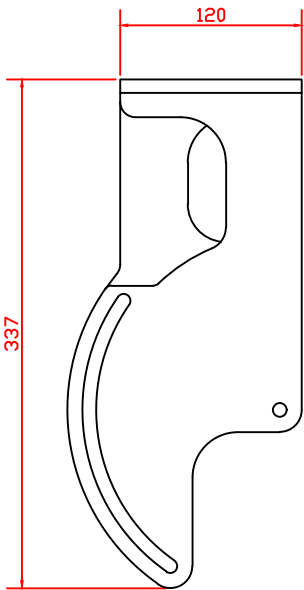


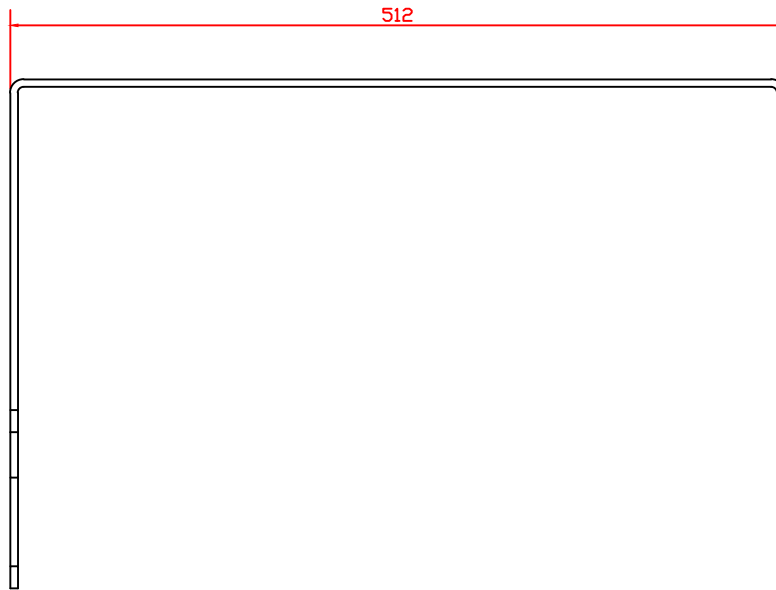
TOP



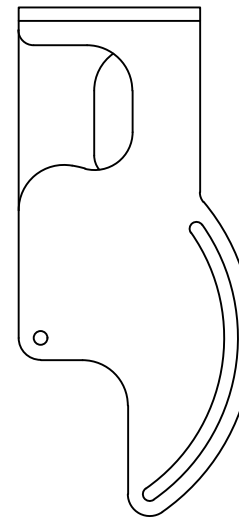
ISOMETRIC



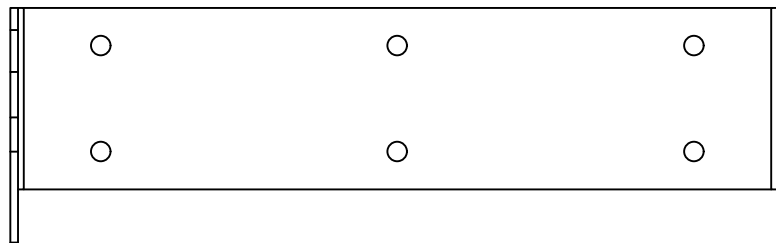
LEFT



FRONT



RIGHT



BOTTOM

DRAWING:	IB-MC12	VERSION:	1.0
SCALE:	1:5	TOLERANCES: ALL LINEAR DIMS +/- 0.2mm ALL ANGULAR DIMS +/- 0.5	
ALL MEASUREMENTS IN MILLIMETERS			

THIRD ANGLE PROJECTION

